



Instytut Techniki Budowlanej (ITB)

European Notified Body No. 1488

Group of Testing Laboratories

accredited by the Polish Centre for Accreditation

Accreditation Certificate No. AB 023

TESTS REPORT

LZP02-01036/23/R742NZP/ENG

**Product manufacturer / System
provider / Client:**

ALUPROF S.A.
ul. Warszawska 153
43-300 Bielsko-Biała

**Product name:
(as specified by the Client)**

Curtain wall straight specimen in full configuration of
Aluprof MB-SR50N EI EI30 system, heating from the
outside

Date of issue:

29.09.2023

Laboratory Laboratorium Badań Ogniwych (LZP)
fire@itb.pl

1. Information on the tests

Basis for the report: Regulation (EU) No. 305/2011 of the European Parliament and of the Council of 9 March 2011 laying down harmonised conditions for the marketing of construction products and repealing Council Directive 89/106/EEC.

This Test Report contains the results of tests covered by the scope of accreditation as well as the results of non-accredited tests. Test results outside the scope of accreditation are marked as "outside the scope of accreditation".

Test start date: 22-06-2023
Test completion date: 22-06-2023
Test method: EN 1364-3:2014, no deviations. External heating curve.
Test location:
Pionki | ul. Przemysłowa 2, 26-670 Pionki | tel. + 48 48 31 21 600 | fax + 48 48 312 21 601.

2. Test specimen

2.1. Information provided by the Client

Number of the relevant harmonised product standard: EN 13830:2003

Product: Curtain wall in full configuration

Declared range of application (in accordance with the harmonised standard): Fire resistance

General information:

Curtain wall of Aluprof MB-SR50N EI type EI30 heated from the outside was manufactured of Aluprof MB-SR50N system elements and mounted on the test site by Aluprof S.A., ul. Warszawska 153, 43-300 Bielsko Biała.

The structure of the test specimen is shown in figs. n Appendix A.

The list of materials used is presented in table A.1 in Appendix A.

Dimensions:

The test specimen had following dimensions: (width × height):

- 4522x 5667 mm (total dimensions),
- 3998 x 4500 mm (test specimen heated dimensions),
- 4500 mm (span length between slabs).

Structure:

MB-SR50N EI type EI30 curtain wall had mullion-transom structure. The specimen was manufactured with system aluminium profiles:

- mullions (cat. No. K430484X) with 125 × 50 mm cross-section, and
- transoms (cat. No. K430493X) with 129,5 × 50 mm cross-section.

Load-bearing profiles (mullions and transoms) were reinforced with aluminium inserts (cat. No. K440824X) insulated with fire retardant elements (cat. No. 80462161) made of type F plasterboard with dimensions 12,5 x 84 x 2600 0 mm.

The reinforcement inserts were connected to mullions and transoms with steel connectors cat. No. 80312107 (transom) and 80312108 (mullion). The mullions and transoms were connected with overlap and by additional steel connectors cat. No. 80376051 and 80376052 (one-sided and double-sided respectively) mounted to mullions on which transoms were shoved.

In the case of the side mullions of the structure and for the upper transom, Palstop Pax board inserts (cat. No. 80462158) with dimensions of 10x64x2000 mm were additionally used in the place of glass mounting.

Infills

The specimen was infilled with:

- Pyrobel 16 EI30 TGU glazing units with thickness of 61,1 mm (D)/ 61,1 - 62,3 (M) mm with following structure (listed from the outside): VSG 44.2 mm / spacer frame 14 mm/ ESG 6 mm / spacer frame 16 mm / Pyrobel 16 EI30 manufactured by AGC with thickness 17,3 mm. The details of the glass dimensions and placement are shown in fig. 2A in Appendix A.
- in area of the inter-storey belt, panels with following structure: glazing unit: ESG 6 mm/ spacer frame 16 mm/ ESG 6 mm; 100 mm + 40 mm rock wool with density of 80 kg/m³ type WENTIROCK manufactured by ROCKWOOL/ 0,80 mm steel sheet / 12,5 mm type F plasterboard.

Infills fixing

The clamp beads K417890X were used as external glass mounting, connected to the wall structure with steel clamps cat. No. 80322091 in 250 mm and M6×55 steel bolts (cat. No. 80371319) in 250 mm spacing.

EPDM gaskets cat. No. 120480, 120486, 120484, 120481 and intumescent tape type Kerafix made of Flexpan 200 NG-A material cat. No. 127109 manufactured by SVT were used as structural sealing.

The tape was circumferentially glued to the mullions and transoms in the vicinity of infills and glazing units.

Spandrel

Opaque inter-storey spandrel was built into the structure of the specimen – Fig. 37 in Appendix No. 1.

Layers of the opaque spandrel (listed from the outside):

- glazed unit: 6 mm ESG glass / 16 mm spacer frame/ 6 mm ESG glass;
- 100 mm rock wool (with additional layer of 40 mm in the level of the slab) with density of 80 kg/m³, Wentirock type manufactured by Rockwool

Steel sheet angles with 0,80 mm thickness were screwed with 3.5×16 screws spaced by 400 mm to transoms limiting the inter-storey spandrel, and cladded with 12,5 mm type F plasterboard.

The structure was bind on the inside with 1,5 mm steel angles mounted with steel rivets (cat. No. 87252403) in 400 mm spacing.

Load-bearing mullions were interrupted in the floor level with 10 mm dilatation allowing mullion expanding. The dilatation was made with system aluminium profile (cat. No. K432144X and K432146X),

which was filled and cladded with type Promatect H insulation boards and spaced by insulators cat. No. 009020.

Test specimen fixing to the supporting construction

The tested specimen was attached do the steel frame with 1D aluminium active brackets (135 mm), cat. No. 80002128.

The connection of the curtain wall of the MB-SR50N EI type EI30 system with the steel frame was made by means of aluminum sliding brackets 1D (135 mm) cat. No. 80002128 thickness of 5.7 mm, connected to the mullions through steel sleeves with M12 x 95 mm screws. The aluminum brackets were connected to the steel C-section with M12 x 45 mm steel bolts, washers and nuts.

Associated walls made of aerated concrete blocks density of 600 kg/m³ and a thickness of 240 mm were built along the vertical edges of the test specimen.

Vertical gaps of about 20 mm width, between the steel frame and the associated walls of aerated concrete, were filled with a layer of ceramic wool.

2.2. Information obtained based on visual inspection in the Laboratory

Acceptance of the test item into the laboratory:

Date:	22-06-2023
Acceptance protocol:	LZP01-01036/23/R742NZN

Preparations of the test specimen:

Supporting construction preparation date:	13-06-2023
Test specimen inSteellation in the supporting construction date:	15-06-2023
Conditioning:	test specimen did not require conditioning.

Selection of test specimens: laboratory was involved in selection.

Size of the test specimen: full-size.

Receipt of the test specimen mounted on the test site:

Object mounted on the test site in ITB Fire Testing Laboratory in Pionki by ALUPROF® S.A., ul. Warszawska 153, 43-300 Bielsko-Biała.

Condition of the test specimen:

The test specimen was provided in condition and quantity sufficient for the test. The test specimen was mounted in the supporting construction in a manner allowing for test execution.

2.2.1. Verification of the test specimen

Verification (in practicable scope) of conformity of the specification data provided by the Client with the test specimen was made before and after the test. Verification measurements are not encompassed by accreditation.

Total overall dimensions of the heated part of the test piece:

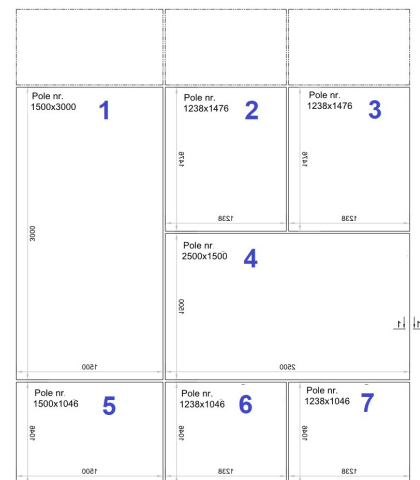
4098 x 4500 mm (width × height)

Mullion and transom profiles:

according to Client's documentation.

Mullion and transom profiles:

Thickness of fire-resistant glazed units (average of 4 measurements)



Glass nr 1	61,4
Glass nr 2	61,2
Glass nr 3	62,1
Glass nr 4	61,3
Glass nr 5	61,2
Glass nr 6	61,4
Glass nr 7	61,3



Fig. 1. Test specimen before the test – exposed side (before facing the furnace)



Fig. 2. Test specimen before the test - unexposed side

3. Fire resistance test

3.1. Test method

3.1.1. General

Method:

EN 1364-3:2014

Deviations:

no deviations

Standards referenced in the method, relevant for the test:

EN 1363-1:2020

Field of application of the method:

This report details the method of construction, the test conditions and the results obtained when the specific element of the construction described herein was tested following the procedure outlined in EN 1363-1, and where appropriate EN 1363-2. Any significant deviation with respect to size, constructional details, loads, stresses, edge or end conditions other than those allowed under the field of direct application in the relevant test method is not covered by this report.

Compliance of the test with the method:

Execution of the test, ambient conditions and accuracy of utilized measuring devices were in accordance with requirements of the method.

3.1.1.1. Test conditions

Location of measurement points:

Fig. 3

Furnace temperature:

fig. 4, external curve

Initial temperatures:

furnace: 29,3°C, (29,3°C ≤ 50°C)

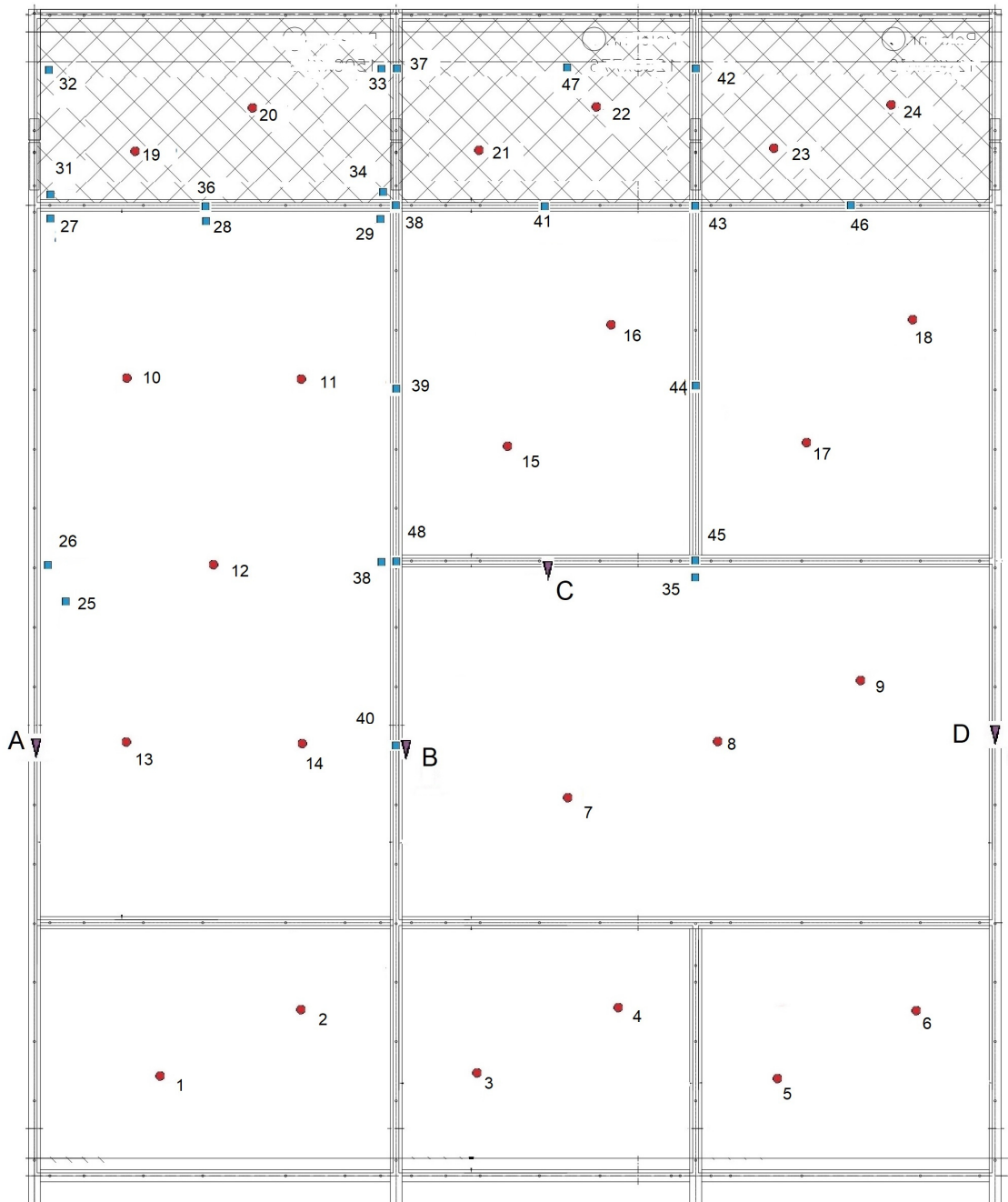
test specimen: 24,8°C, (10°C ≤ 24,8°C ≤ 40°C)

unexposed surface: 24,8°C

Heating tolerance: Fig. 5

Furnace pressure: Fig. 6, measurement at the reference point 20 Pa

Ambient temperature: fig. 7



- - average and maximum temperature thermoelements
- - maximum temperature thermoelements
- ▼ - deflection gauges

Fig. 3. Location of measurement points on unexposed side of the test specimen

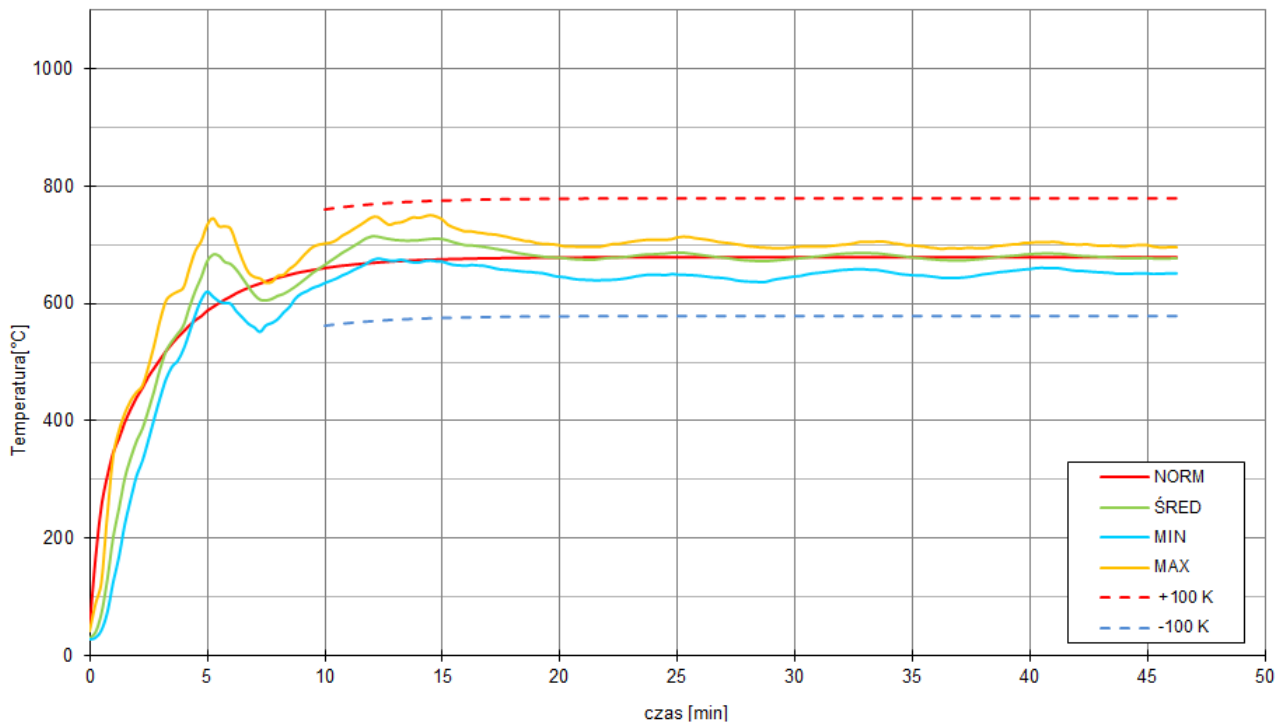


Fig. 4. Temperature of furnace heating conditions

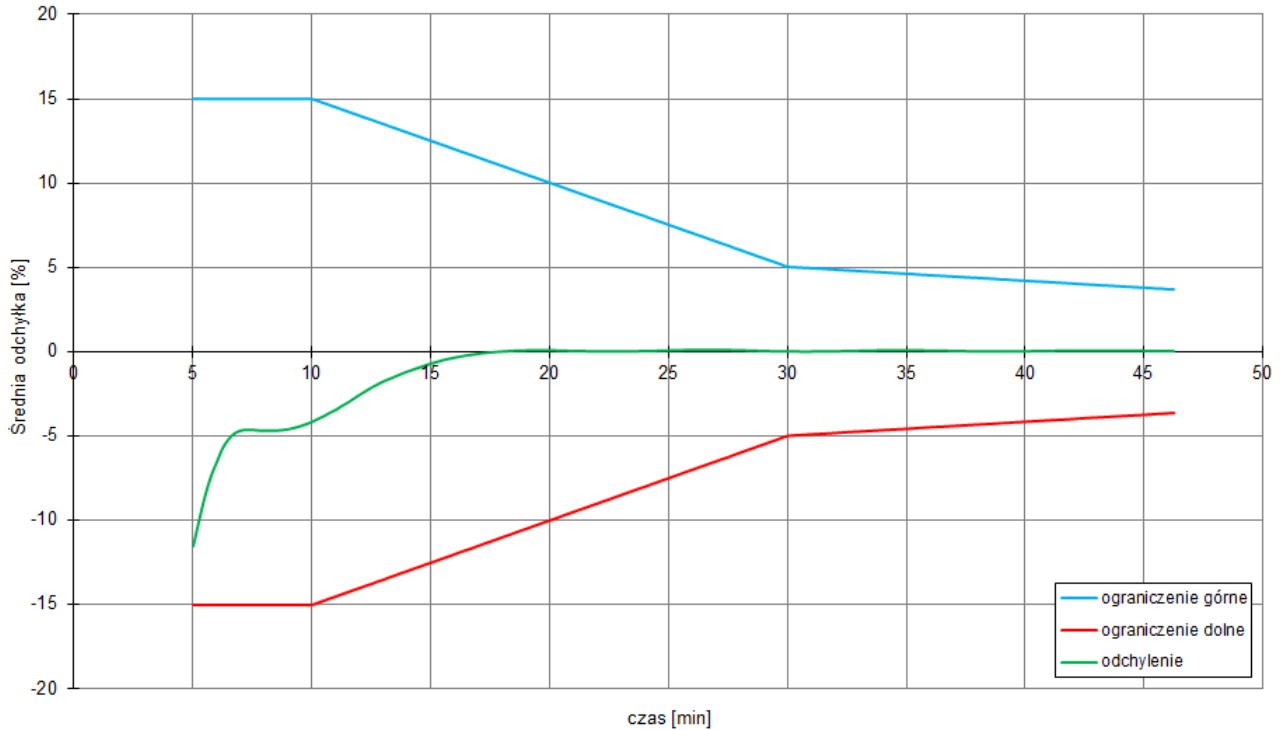


Fig. 5. Tolerance of heating

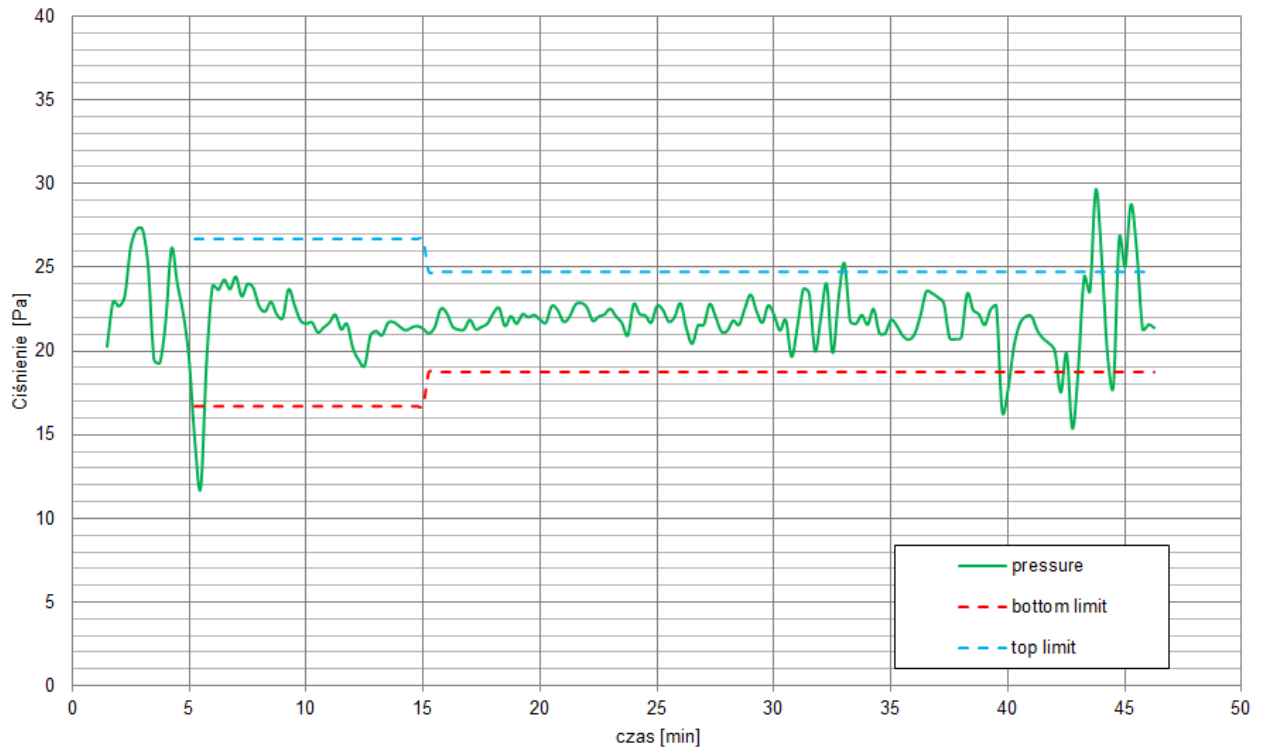


Fig. 6. Furnace pressure

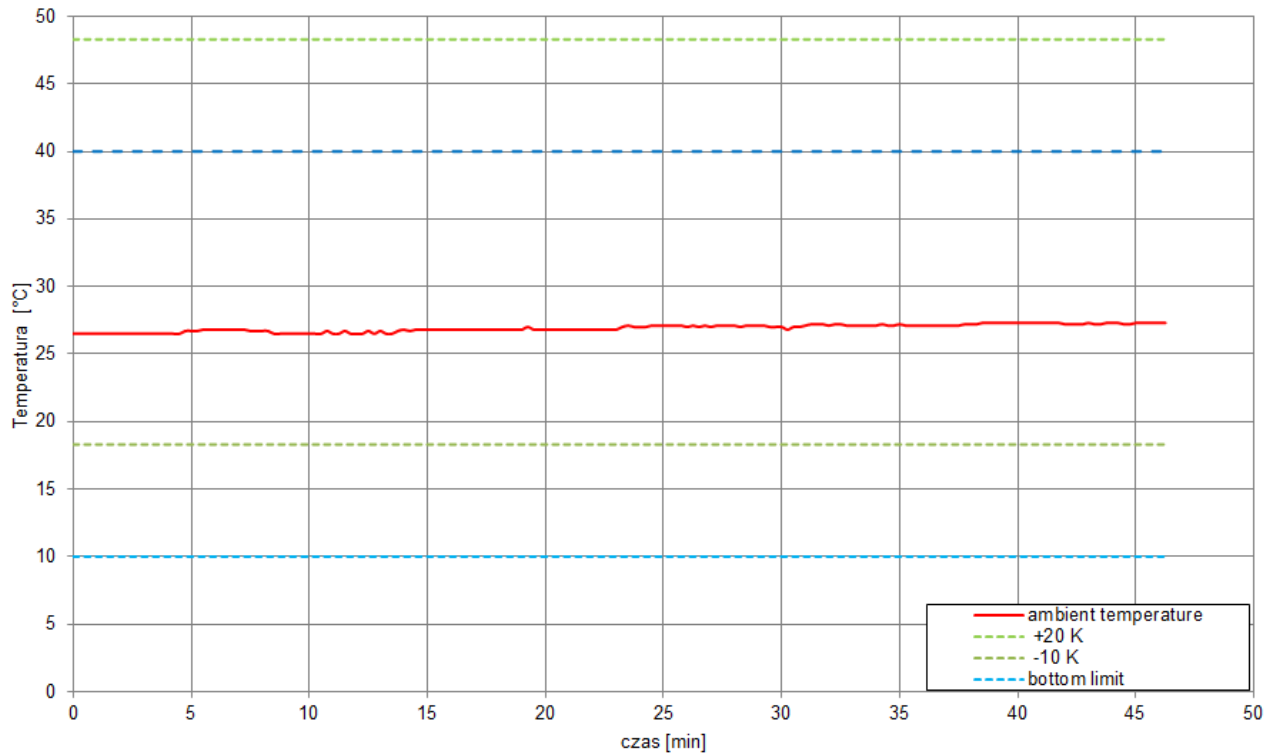


Fig. 7. Ambient temperature

3.2. Test results

Test duration: 46m 31s

Temperature risen on the unexposed surface: Fig. 8 -21

Field of application of test results: wg EN 1364-3:2014 p. 13

Tab. 1. 4.2.2.2. Measurements and observations during the test

Time	Record
0m 0s	Commencement of the test
15m 01s	Non-transparent glass panes.
16m 02s	Intense smoke along the the upper horizontal edge of glass panes No. 3 and No. 4 (glass numbering as in point 2.2.1.)
38m 20s	A dark spot forms on glass No. 6.
39m 54s	Moving thermocouple applied to the observation point describet at 38m 20s; TE = 117°C
47m 00s	Termination of the test (reason: in agreement with the Client)

3.2.1. Graphs of temperature increases on the exposed surface of the test specimen

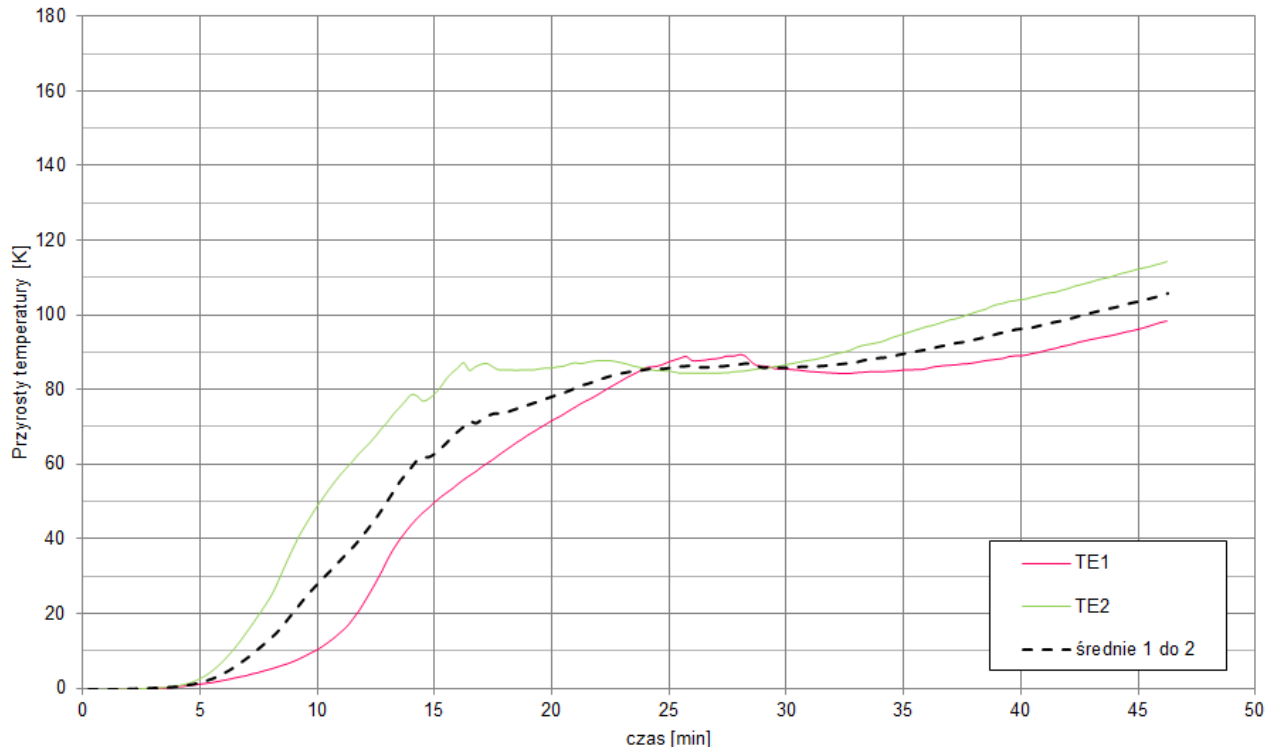


Fig. 8. Temperature rise on the unexposed surface of the test specimen – average and maximum temperature thermoelements

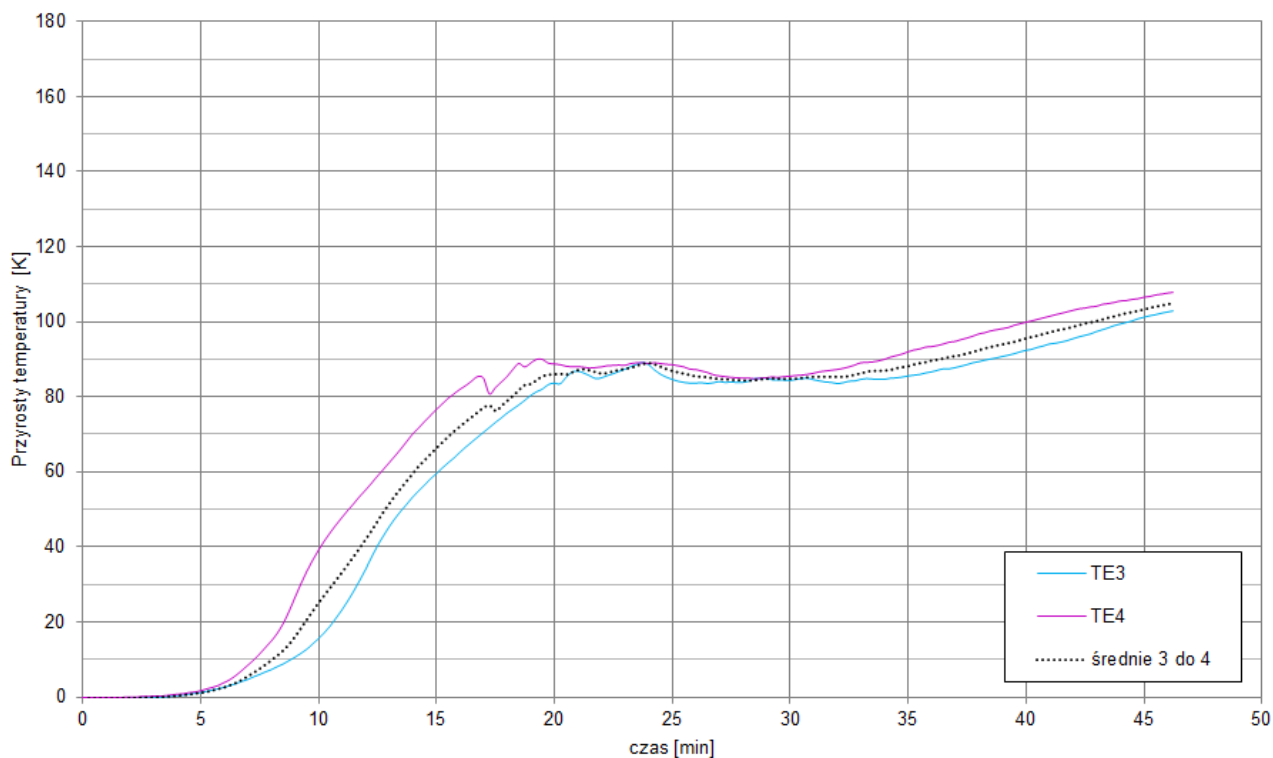


Fig. 9. Temperature rise on the unexposed surface of the test specimen – average and maximum temperature thermoelements

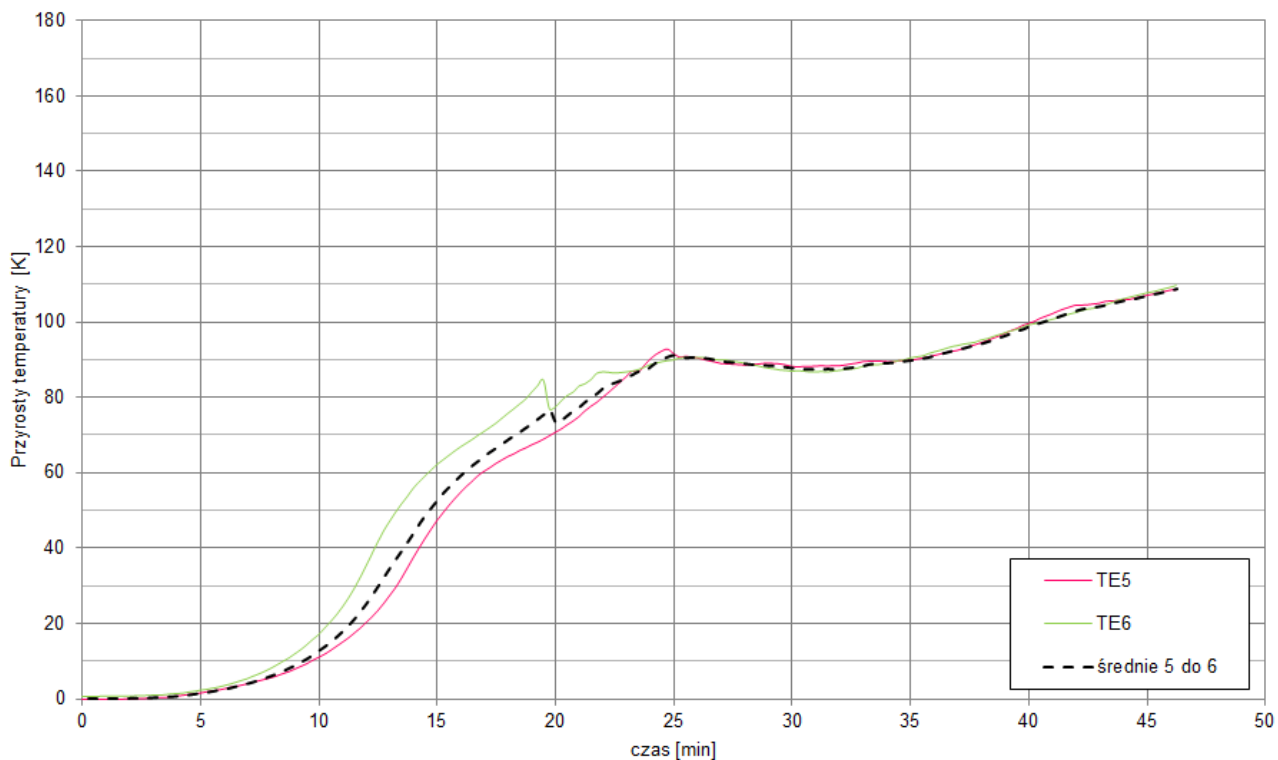


Fig. 10. Temperature rise on the unexposed surface of the test specimen – average and maximum temperature thermoelements

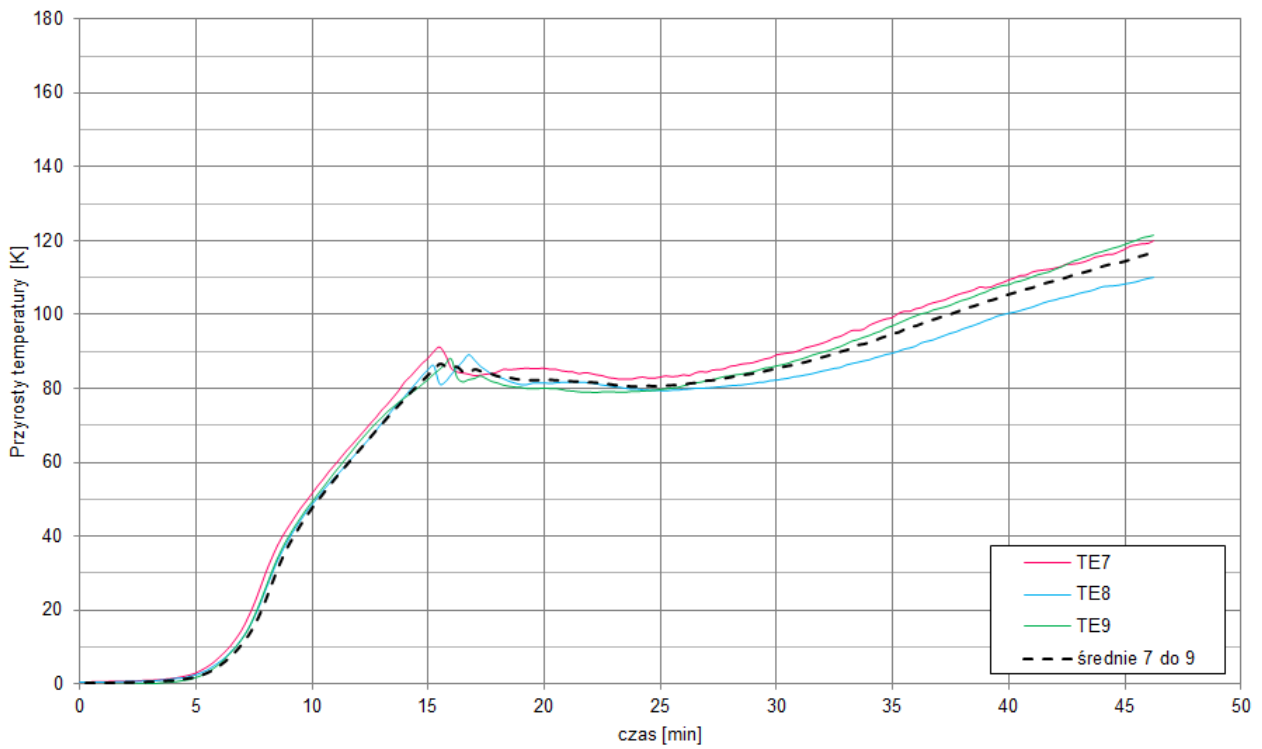


Fig. 11. Temperature rise on the unexposed surface of the test specimen - average and maximum temperature thermoelements

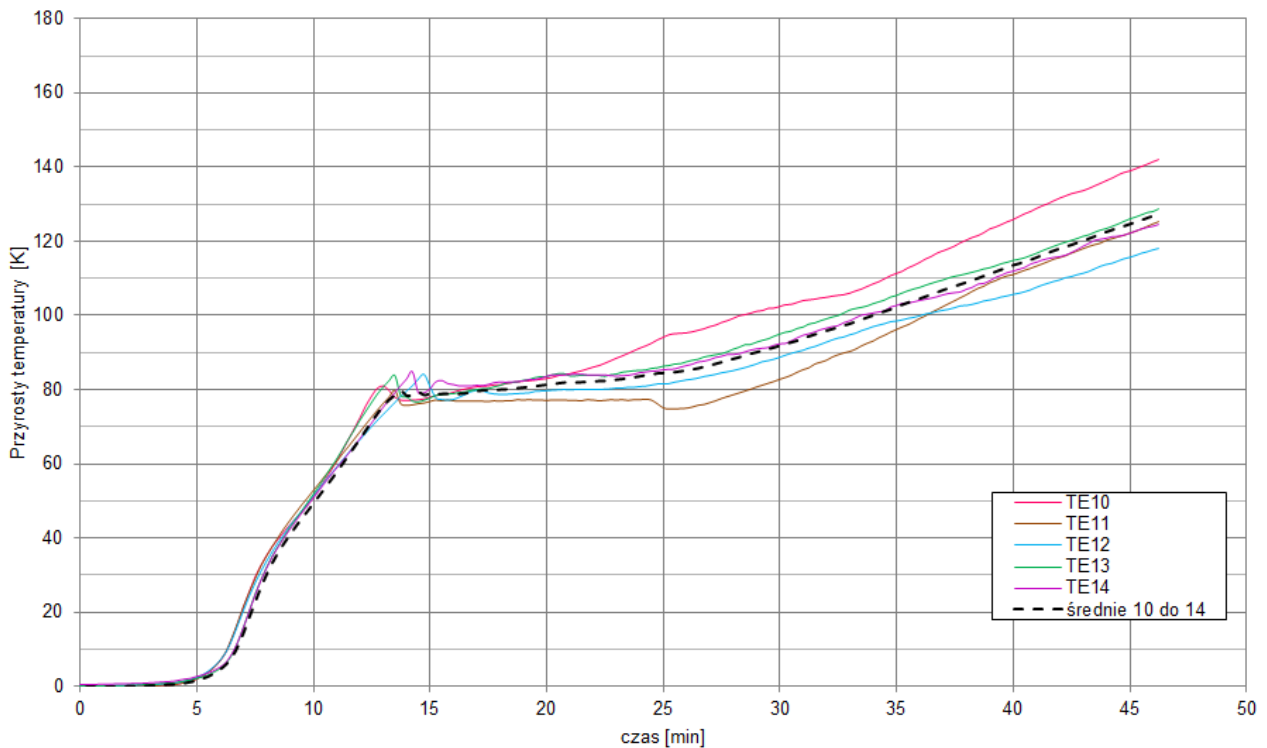


Fig. 12. Temperature rise on the unexposed surface of the test specimen - average and maximum temperature thermoelements

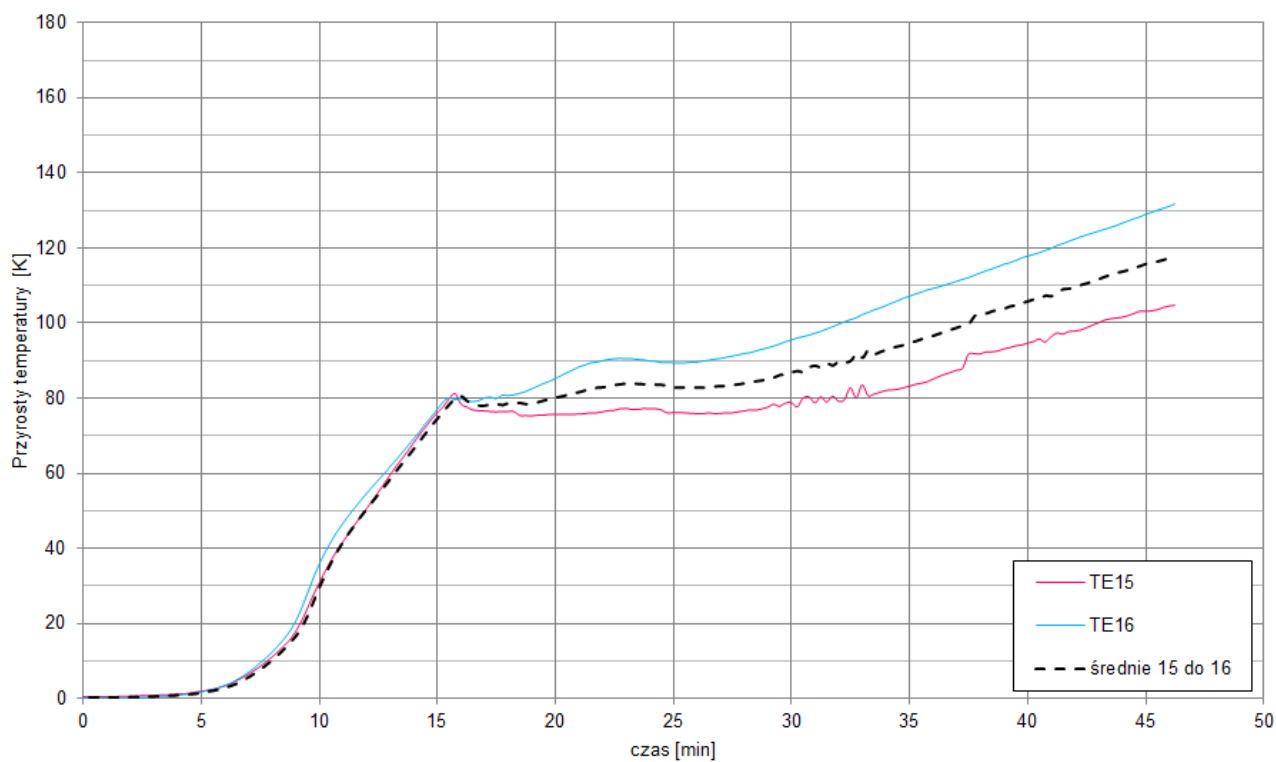


Fig. 13. Temperature rise on the unexposed surface of the test specimen – average and maximum temperature thermoelements

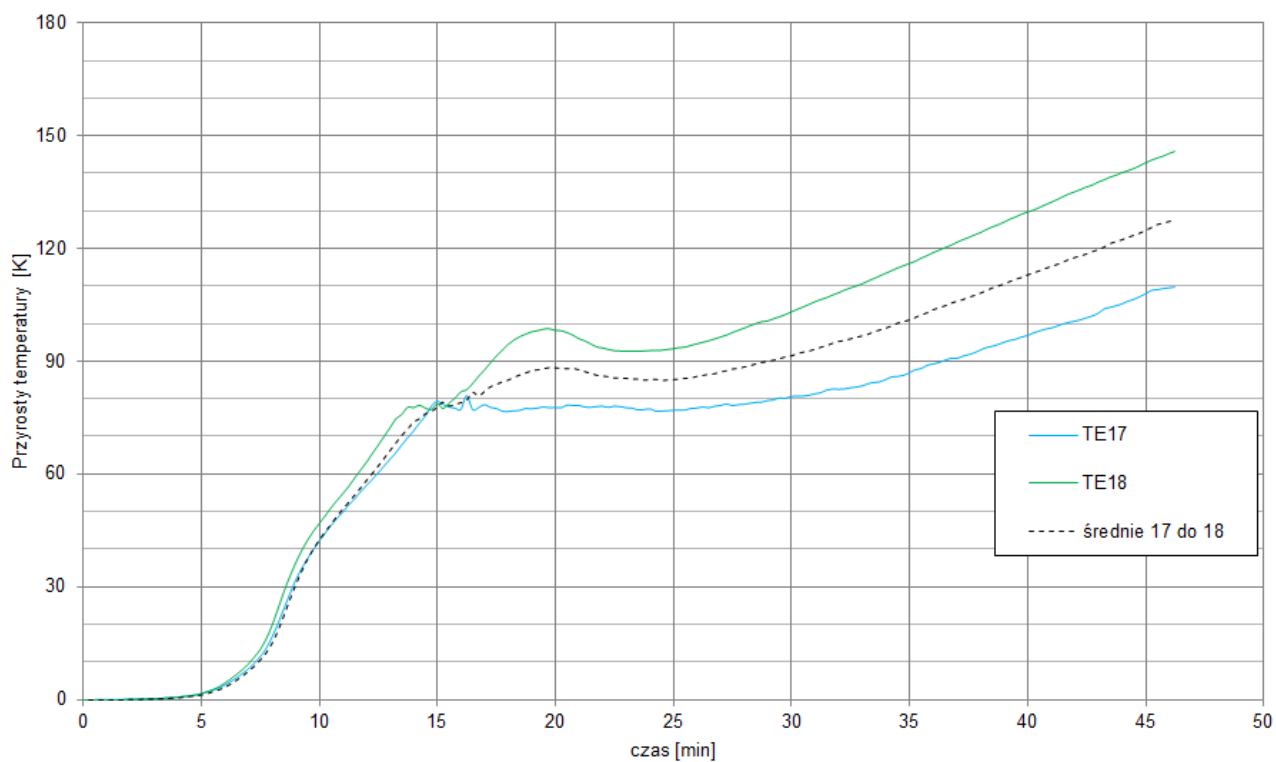


Fig. 14. Temperature rise on the unexposed surface of the test specimen – average and maximum temperature thermoelements

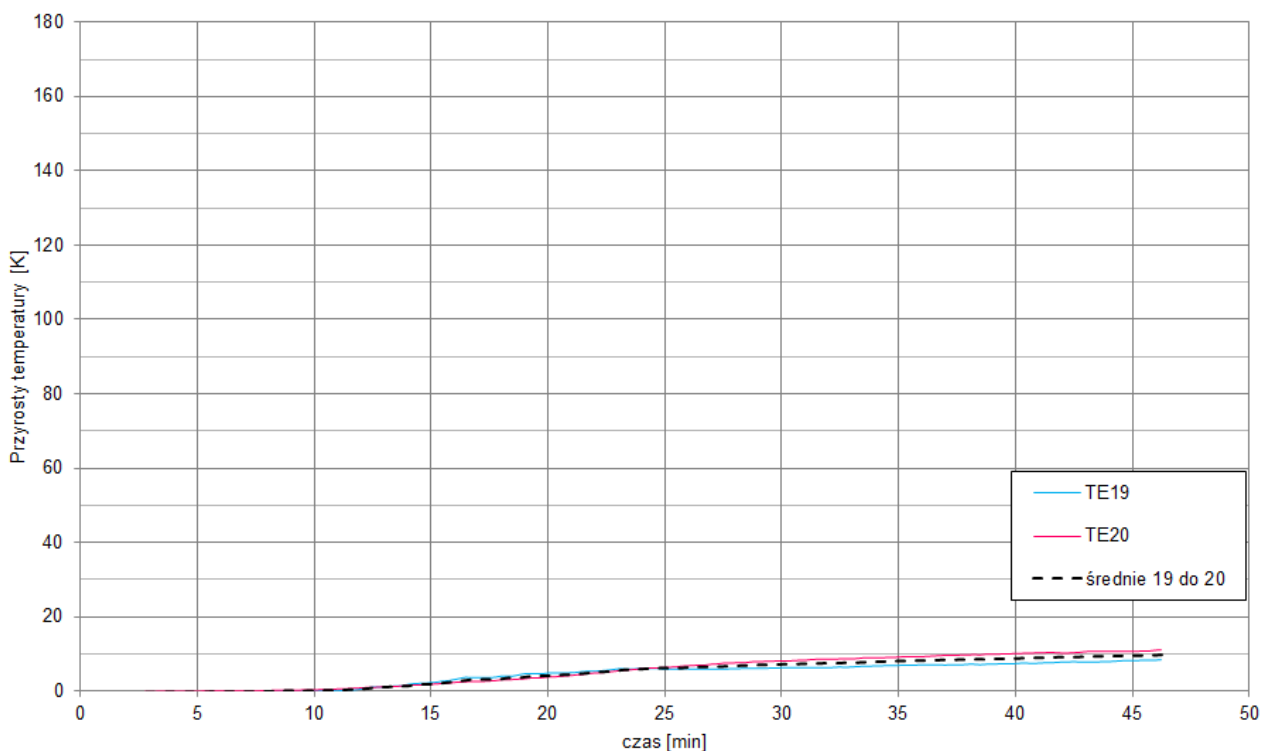


Fig. 15. Temperature rise on the unexposed surface of the test specimen – average and maximum temperature thermoelements

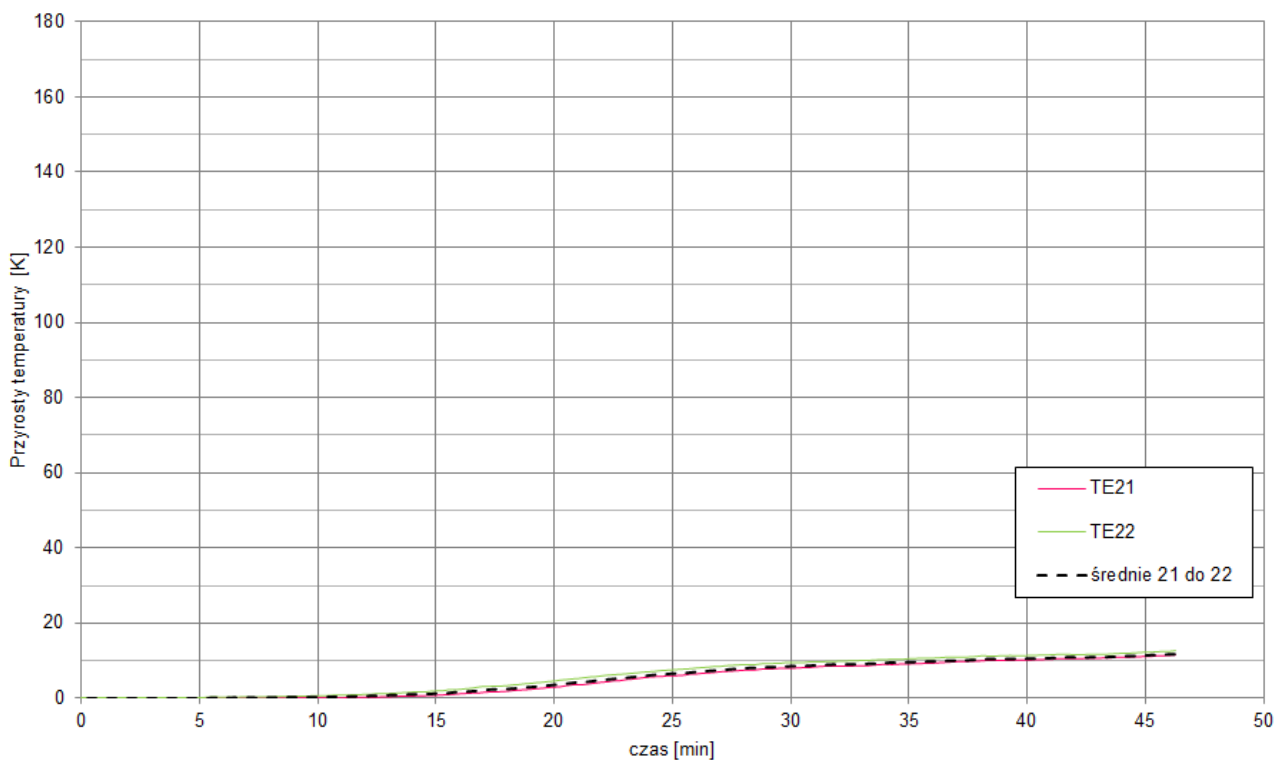


Fig. 16. Temperature rise on the unexposed surface of the test specimen – average and maximum temperature thermoelements

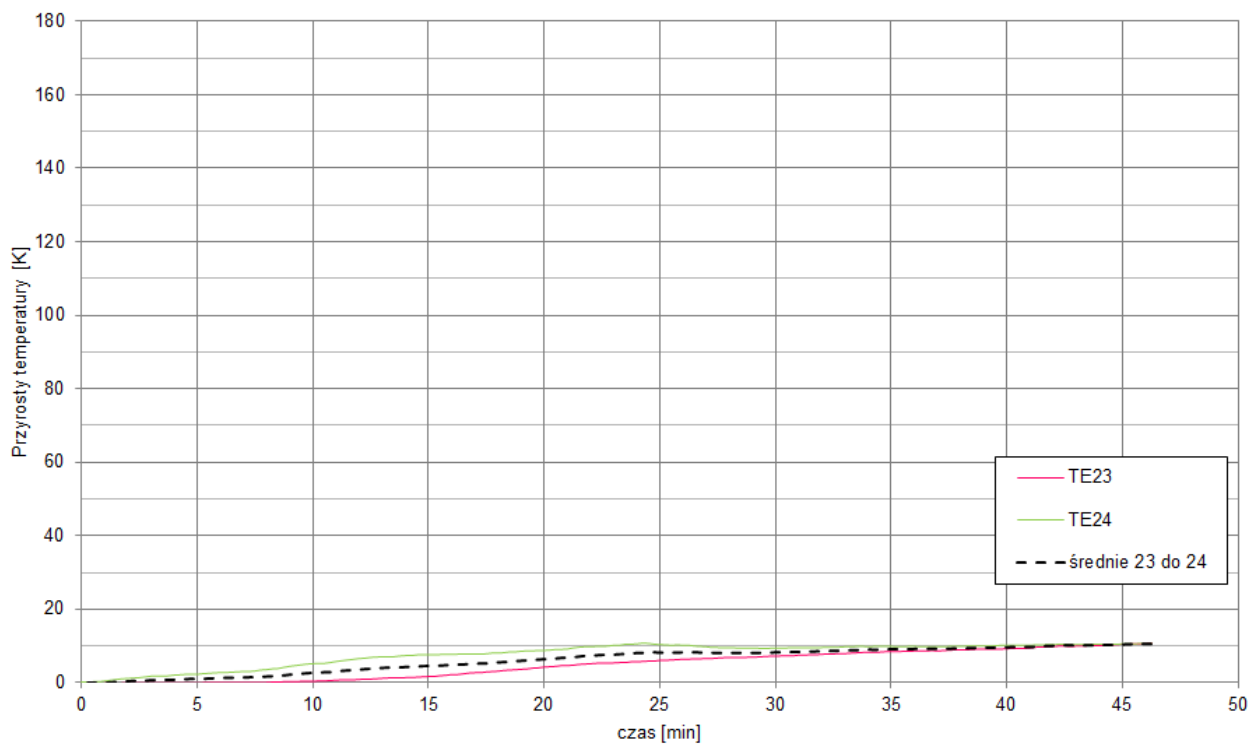


Fig. 17. Temperature rise on the unexposed surface of the test specimen – average and maximum temperature thermoelements

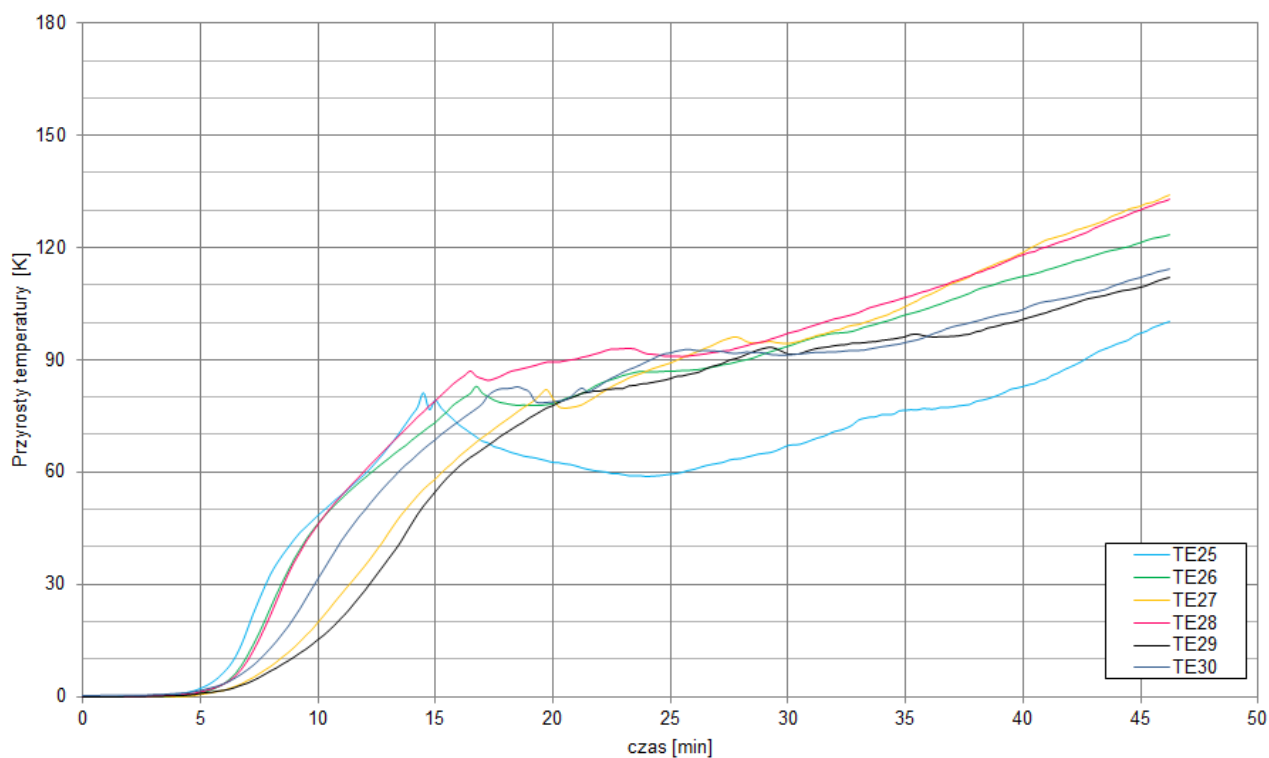


Fig. 18. Temperature rise on the unexposed surface of the test specimen – maximum temperature thermoelements

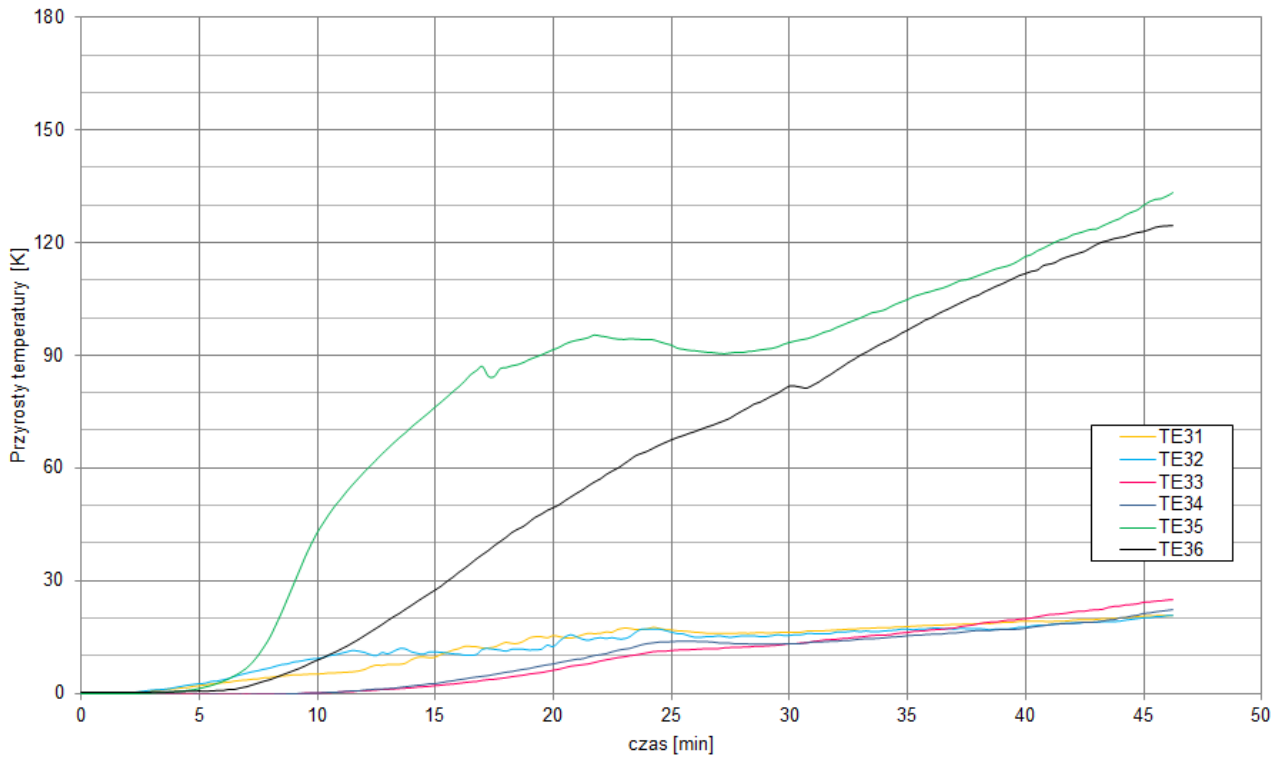


Fig. 19. Temperature rise on the unexposed surface of the test specimen - maximum temperature thermoelements

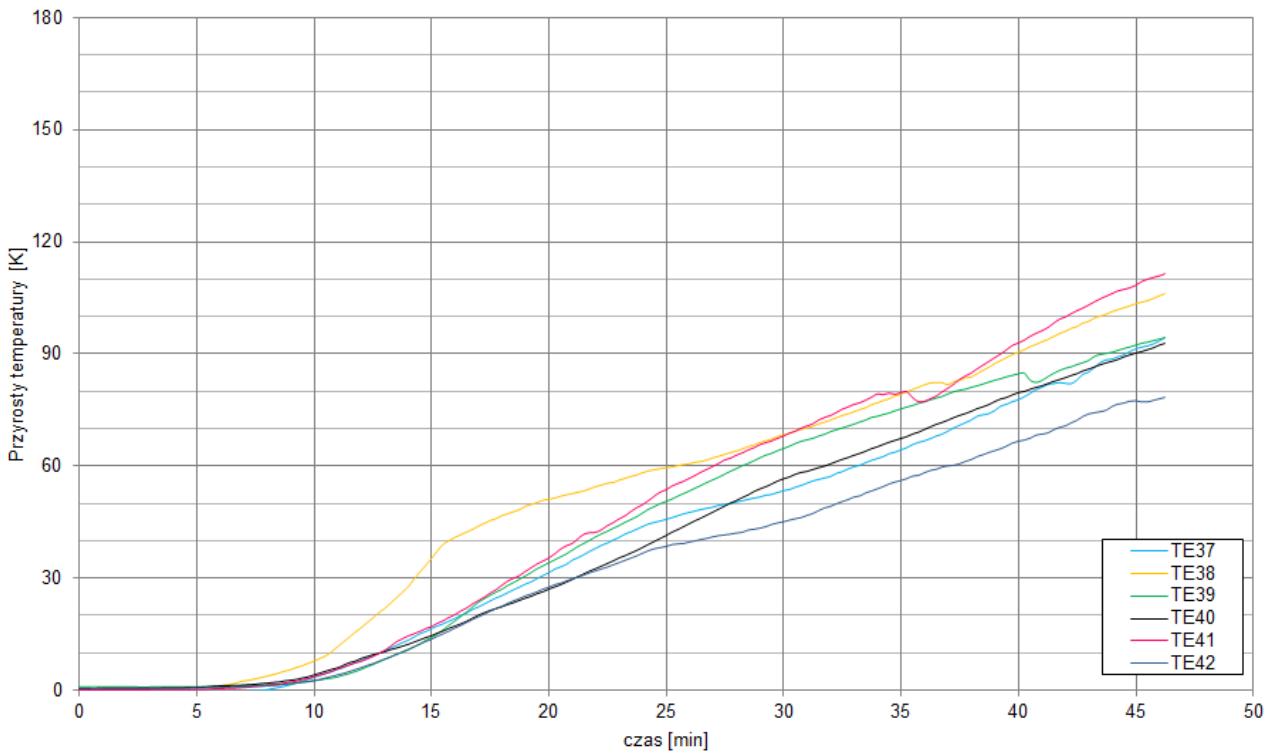


Fig. 20. Temperature rise on the unexposed surface of the test specimen - maximum temperature thermoelements

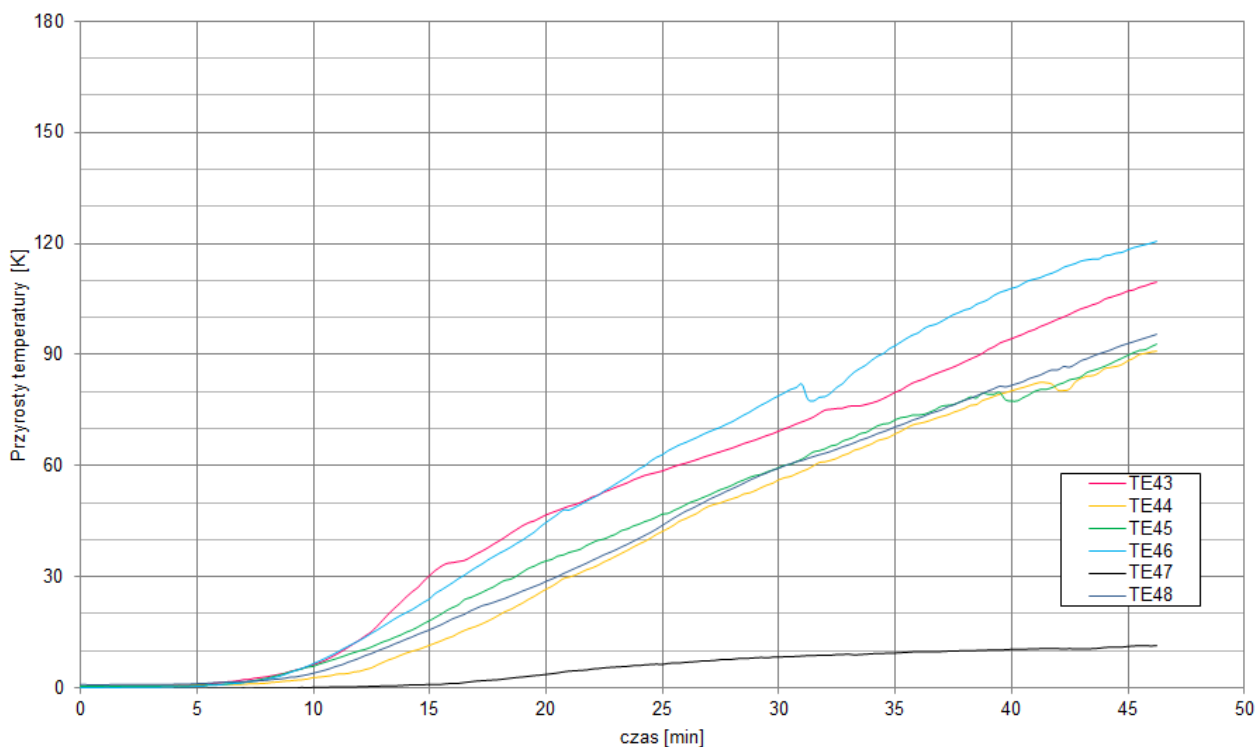


Fig. 21. Temperature rise on the unexposed surface of the test specimen - maximum temperature thermoelements

3.2.2. Deflection

The places of measurement of deflection of the curtain wall perpendicular to its surface are shown in Fig. 5. The values of the measured deflections are presented in the Table 1.

Tabela 1.

Time [min]	Deflection [mm]			
	A	B	C	D
0	0	0	0	0
10	4	7	8	5
20	5	6	6	5
25	4	7	8	4
30	5	12	12	5
40	5	13	13	5
45	5	14	14	5

Deflection towards the inside of the furnace.

3.2.3. Photographic documentation during the test



Fig. 22. Unexposed side of the test specimen, $t = 6$ m



Fig. 23. Unexposed side of the test specimen, $t = 21$ m



Fig. 24. Unexposed side of the test specimen, $t = 46$ m



Fig. 25. Unexposed side of the test specimen after the test

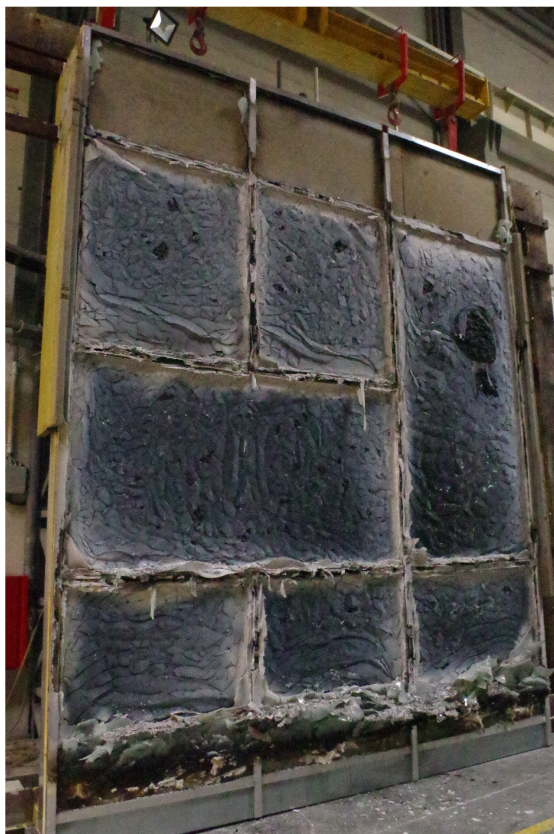


Fig. 26. Exposed side of the test specimen after the test

3.2.4. Measurement uncertainty

Due to the nature of the fire resistance test and the resulting difficulty in quantifying the uncertainty of the fire resistance measurement, it is not possible to determine a fixed level of accuracy of the results.

3.2.5. Fire resistance criteria

Tab. 2. Szczelność ogniowa

Integrity performance (E)	Time	Location
Sustained flaming	47 min no failure	-
Cotton pad	47 min no failure	-
6 mm gap gauge	47 min no failure	-
25 mm gap gauge	47 min no failure	-

Tab. 3. Izolacyjność ogniowa

Insulation performance (I)	Time	Location
Average temperature rise (140K)	47 min no failure	-
Maximum temperature rise - normal procedure	47 min no failure	-

In accordance with the provisions given in EN 13501-2:2016, the assessment of the compliance of the results with the criteria is included in a separate document (classification report), provided that the owner of this report requested such a document.

3.2.5.1. Field of direct application of test results (DIAP)

According to EN 1364-3:2014 Clause 13.

4. Assessment of product performance

The assessment of the product's performance is presented in a Classification Report in accordance with the standard EN 13501-2:2016 issued on the basis of this test report.

Factors influencing the risk associated with the performance assessment carried out:

- the uncertainty of measurement as presented in section 3 of this report,
- the uncertainty of the test method not presented in the test standard,
- the level of representativeness of the sample tested by the laboratory in relation to the product population – knowledge of the variability of the product population and the representativeness of the sample provided to the laboratory is held by the manufacturer.

Annex A

Technical documentation of the Client

Tab. A.1. List of materials

Profiles		
Code	Description	Material
K430484X	Mullion 125 mm	Aluminium
K430493X	Transom 129,5 mm	Aluminium
K417890X	Clamping strip	Aluminium
K417891X	Concealing strip 15 mm	Aluminium
K417892X	Concealing strip 20 mm	Aluminium
K440824X	Reinforcement of mullion 89 mm	Aluminium
K432144X	Auxiliary profile for mullion reinforcement	Aluminium
K432146X	Reinforcement of mullion 82,7 mm	Aluminium
K434036X	Spacer 10 mm	Aluminium
K417914X	Spacer 5 mm	Aluminium
K417917X	Spacer 30 mm	Aluminium

Gasketss		
Code	Description	Material
120480	Gasket 4 mm	EPDM
120488	Gasket 12 mm	EPDM
120483	Gasket 7 mm	EPDM
120486	Gasket 10 mm	

Accessories		
Code	Description	Material
80462158	Insulating insert CI 10x64x2000 mm	Palstop Pax
80462161	Insulating insert GKF 12,5x84x2600 mm	GKF
127109	Swelling tape 42 mm	Flexpan
-	Promatect plate 100mmx20mm	Promatect
-	Promatect plate 91mmx6mm	Promatect
009017	Thermal insulator 41 mm	HPVC
009020	Thermal insulator 8 mm	HPVC
120615	Tightening insert for a mullion-transom connection	EPDM
120698	Tightening insert for a clamping strip	EPDM
120937	Transom concealing gasket	EPDM
80002128	Console 1D 135 mm, active	Aluminium

DIN 931/ISO 4014	Hex head bolt M12x95	Steel
DIN 934/ISO 4032	Hex washer M12 A2	Steel
DIN 125/ISO 7089	Round washer M12 A2	Steel
80122119	Connector 50x10 mm	Aluminium
80311079	Tightening insert for a mullion-mullion connection	Inox/EPDM
80312107	Steel pivot \varnothing 10x55 mm	Steel
80312108	Steel pivot \varnothing 10x73 mm	Steel
8A01001X	Glass support 78x100 mm	Steel
80322091	Steel washer	Steel
80371208	Screw 3,9x13 mm	Steel
80371260	Bolt M6x12 mm	Steel
80371275	Bolt M6x70 mm	Steel
80371319	Bolt M6x55 mm	Steel
80371336	Bolt M6x16 mm	Steel
80375322	Conical washer 14x6,5 mm	Steel
80376051	Steel pivot \varnothing 10,5x50 mm	Steel
80376052	Steel pivot \varnothing 10,5x100 mm	Steel
80957034	Wooden packer 1x40x80 mm	Wood
80957035	Wooden packer 2x40x80 mm	Wood
87252405	Screw 4,2x19 mm	Steel
87252722	Screw 5,5x19 mm	Steel
DIN7504P 4,2x19	Screw DIN7504P 4.2x19	Steel
804XXXX1	Fixing inserts plate	Steel
80379962	Steel pivot	Steel
80379980	Protective ring	Steel
80379961	Steel pivot	Steel
Infills		
Nominal thickness	Description	Dimensions
62,06 mm	ESG 44.2 mm / frame 14 mm / ESG 6 mm / frame 16 mm / Pyrobel 16 EI30 17,3 mm	1238 x 1426 mm
62,06 mm	ESG 44.2 mm / frame 14 mm / ESG 6 mm / frame 16 mm / Pyrobel 16 EI30 17,3 mm	1400 x 2800 mm
62,06 mm	ESG 44.2 mm / frame 14 mm / ESG 6 mm / frame 16 mm / Pyrobel 16 EI30 17,3 mm	2500 x 1350 mm
62,06 mm	ESG 44.2 mm / frame 14 mm / ESG 6 mm / frame 16 mm / Pyrobel 16 EI30 17,3 mm	1400 x 1246 mm
28 + 140 mm	Non-transparent panel: Glass ESG6/16/ESG6 + rock mineral wool 100 +40 density 80 kg/m ³ (WENTIROCK of ROCKWOOL)	1238 x 776 mm
28 + 140 mm	Non-transparent panel: Glass ESG6/16/ESG6 + rock mineral wool 100 +40 density 80 kg/m ³ (WENTIROCK of ROCKWOOL)	1400 x 776 mm

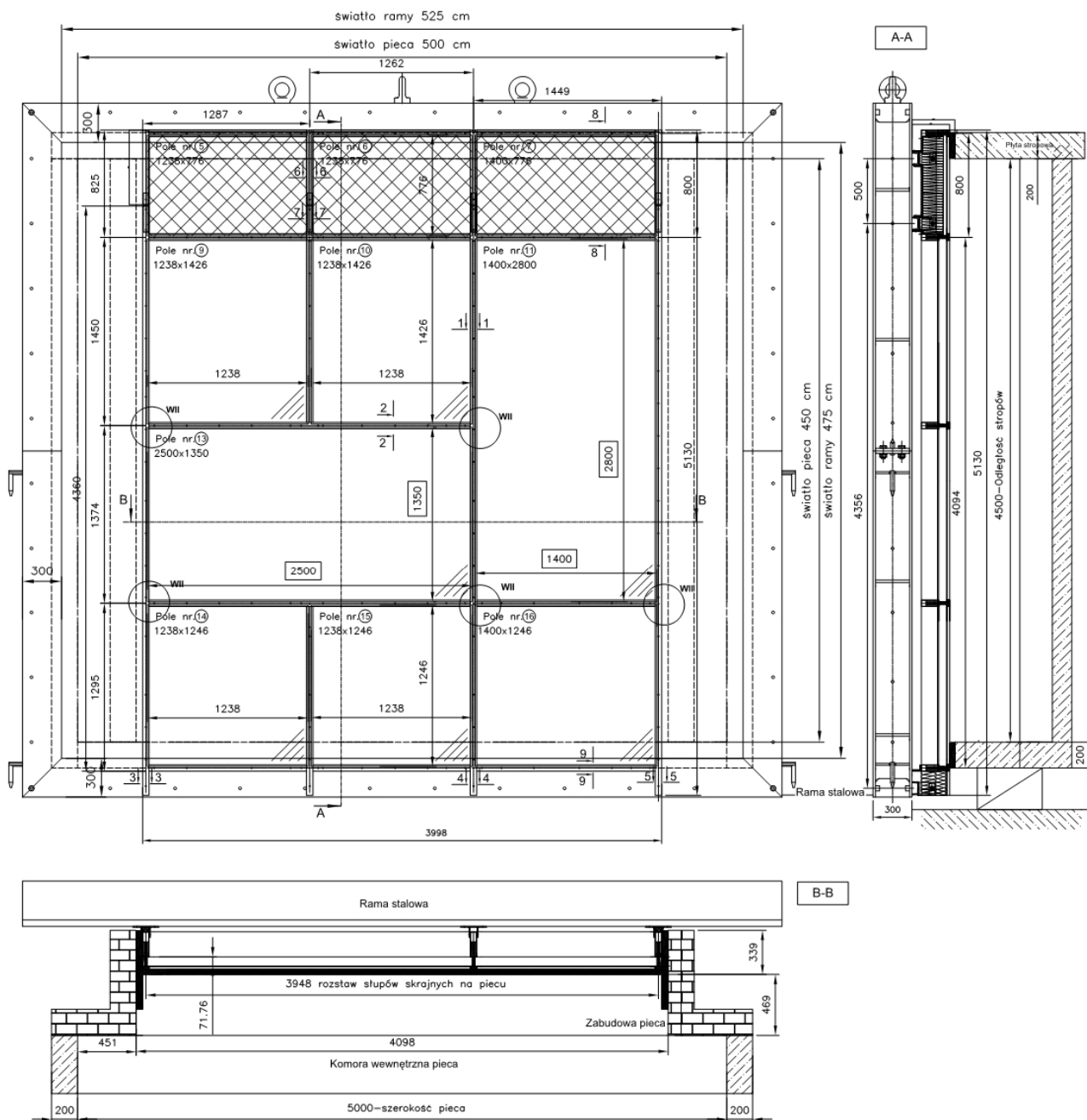


Fig. 1A. General view of the test piece, dimensions, section designation

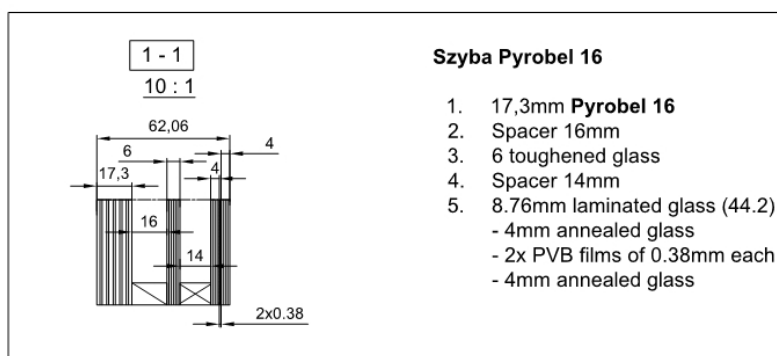
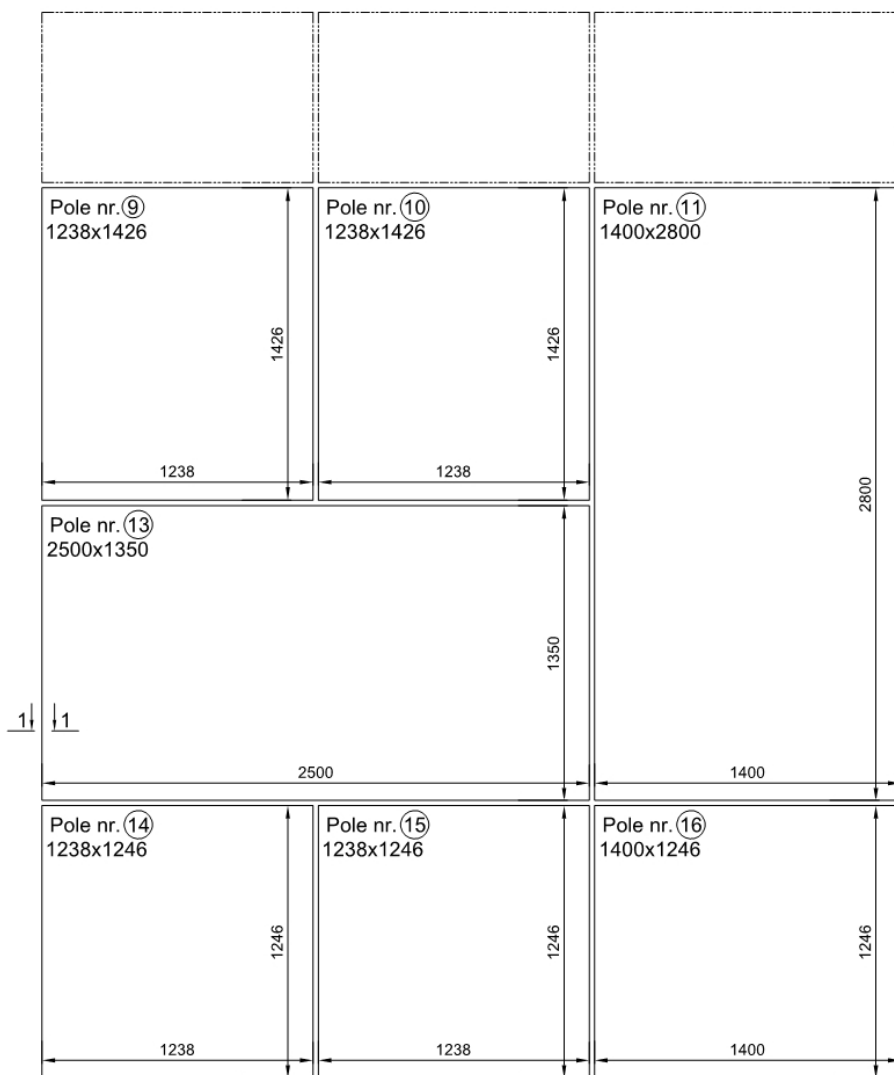
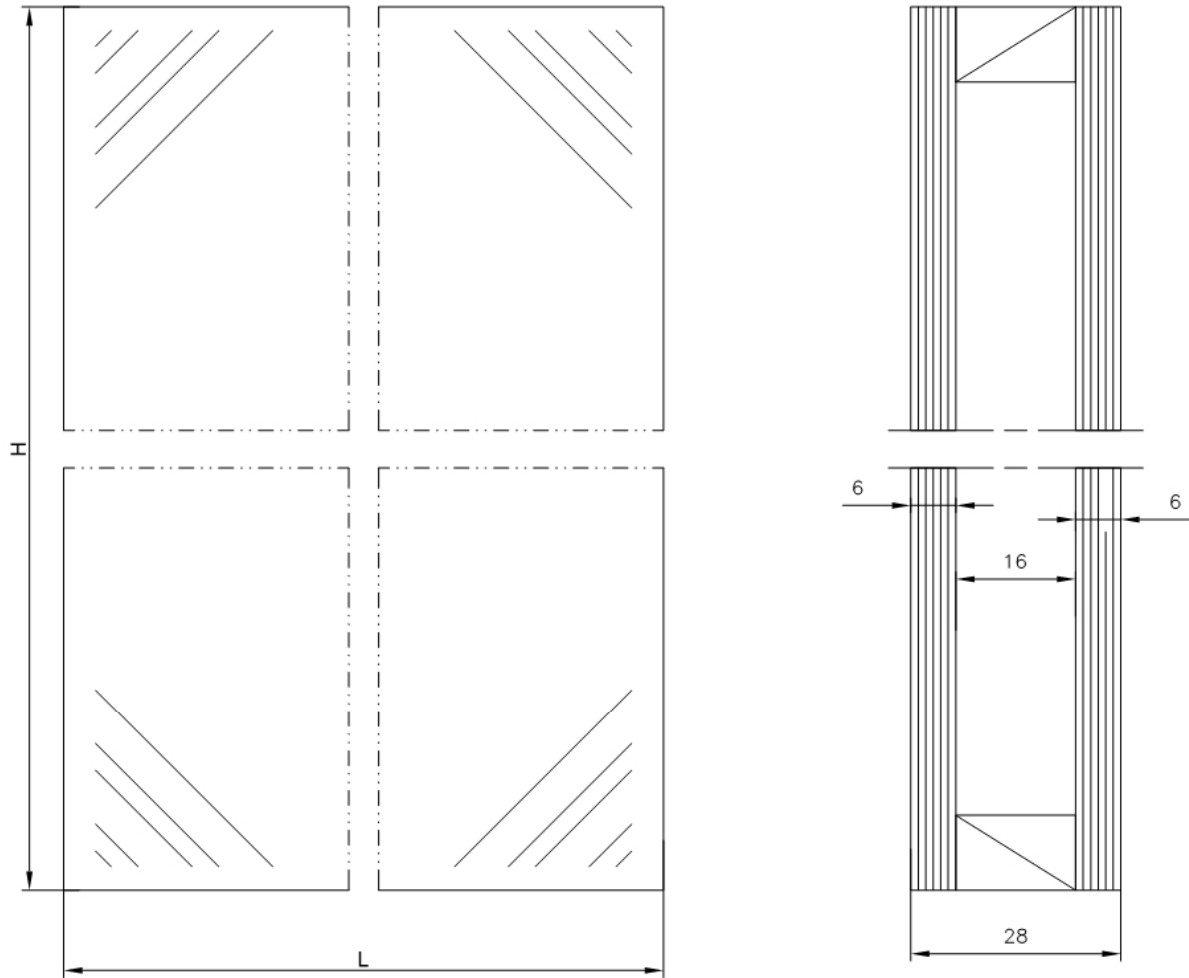


Fig. 2A. Transparent fillings



Zestawienie wymiarów szyb do badań modelu ściany osłonowej MB-SR50N EI30 od strony zewnętrznej.
Szyba jednokomorowa hartowana 2x6mm

Nr. pola	wymiar LxHxG [mm]	szt.
5,6	1238 x 776 x 28	2
7	1500 x 776 x 28	1

Fig. 3A. Glass panes in non transparent fillings

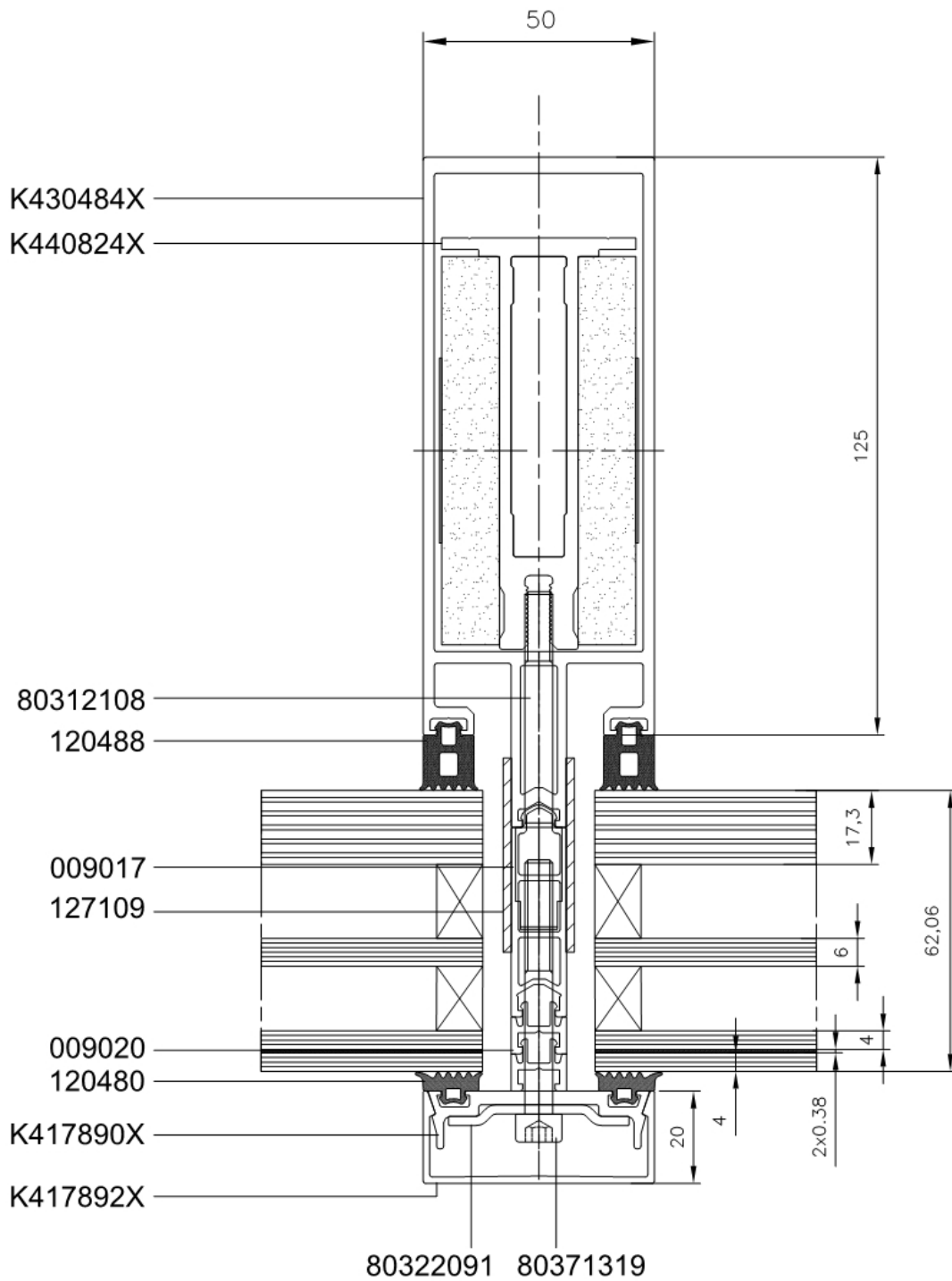


Fig. 4A. Section 1-1

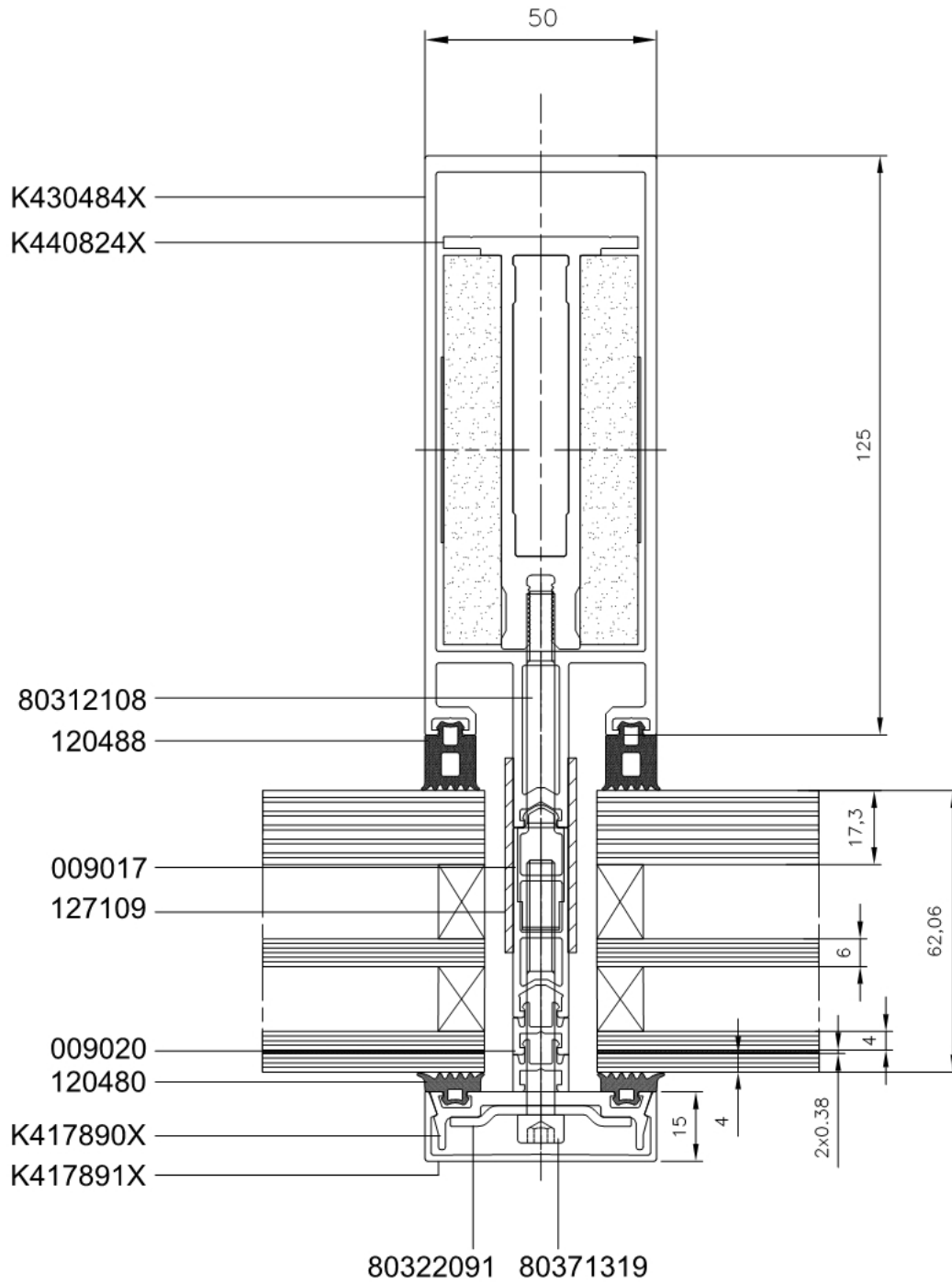


Fig. 5A. Section 1'-1'

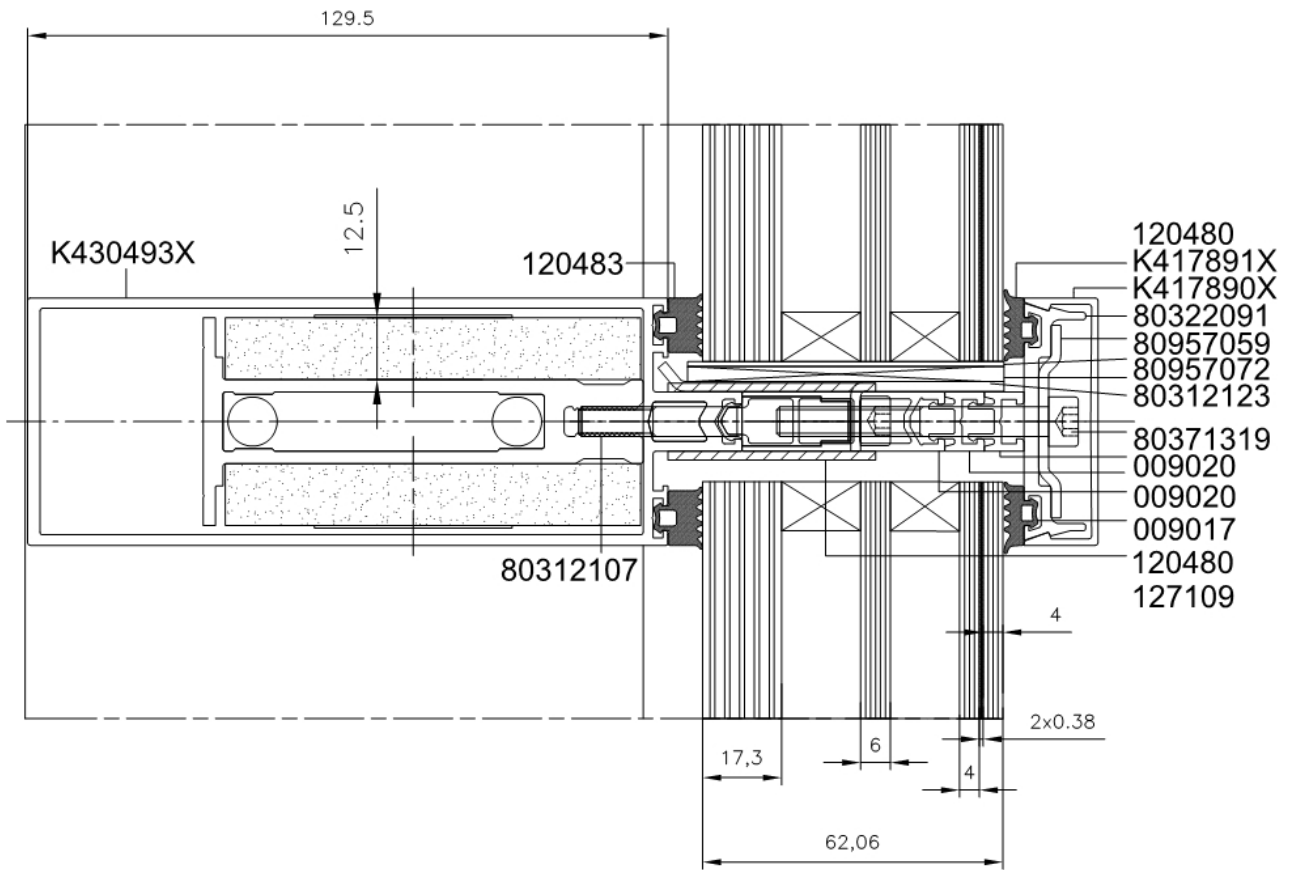


Fig. 6A. Section 2-2

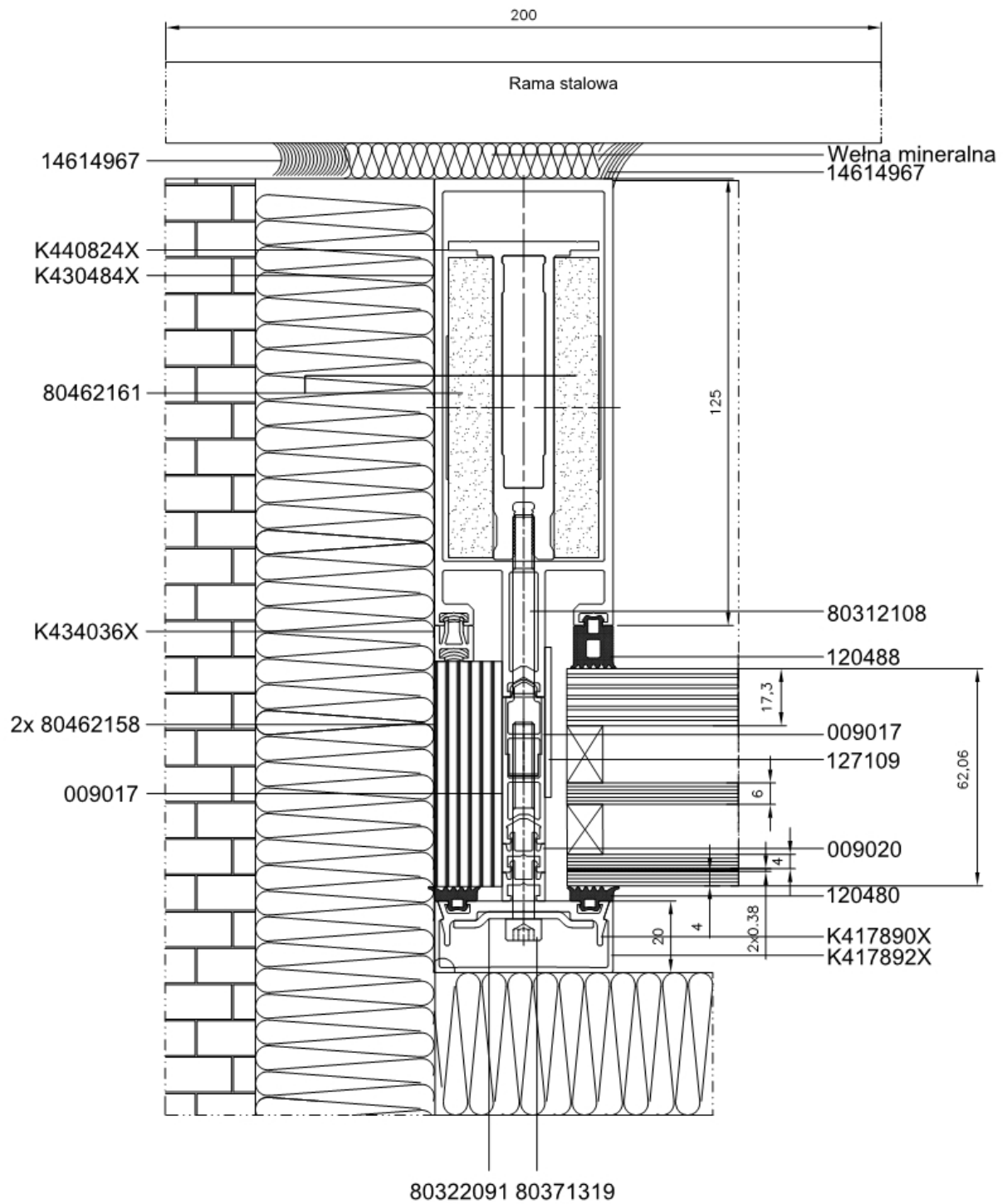


Fig. 7A. Section 3-3

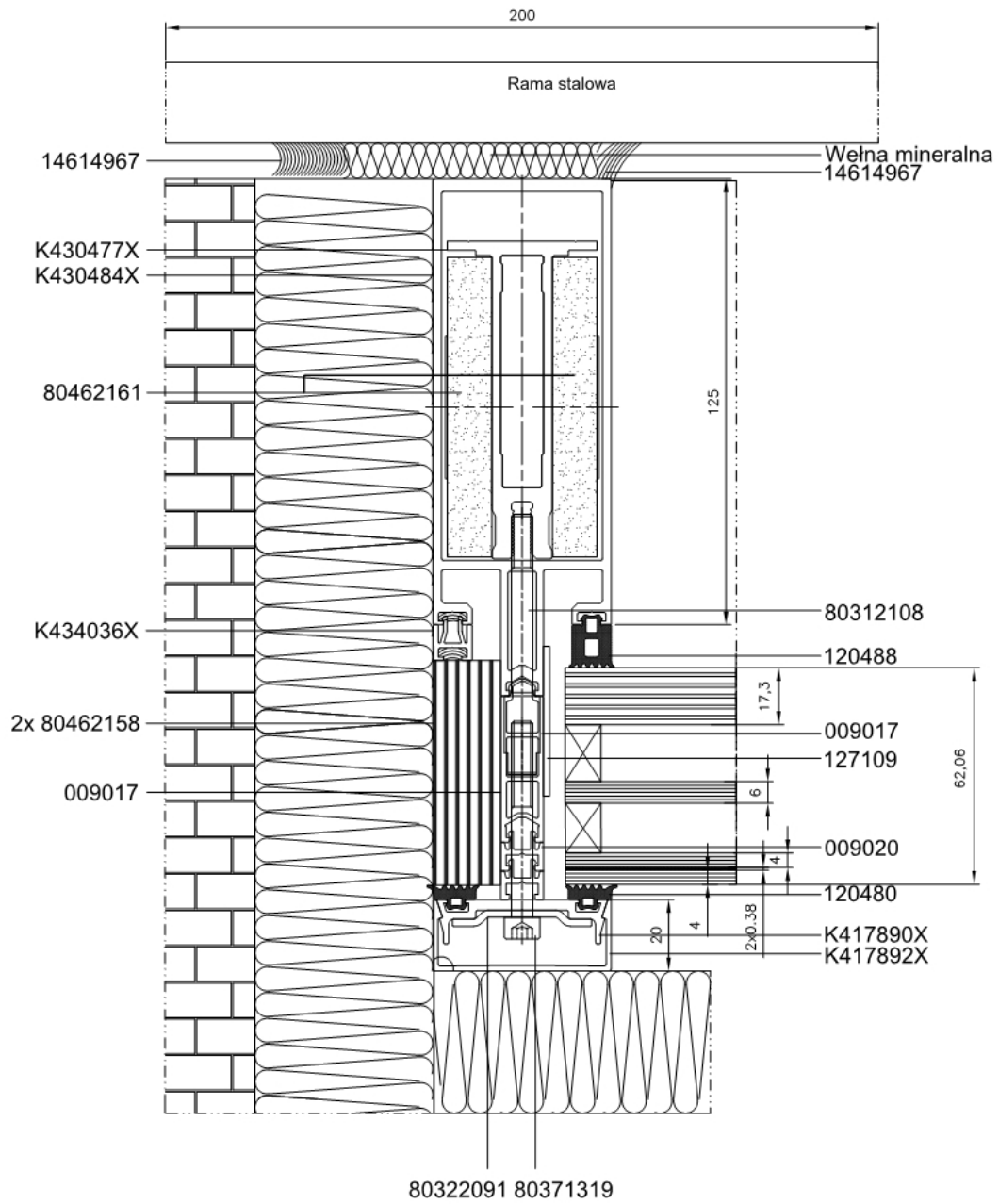


Fig. 8A. Section 3-3

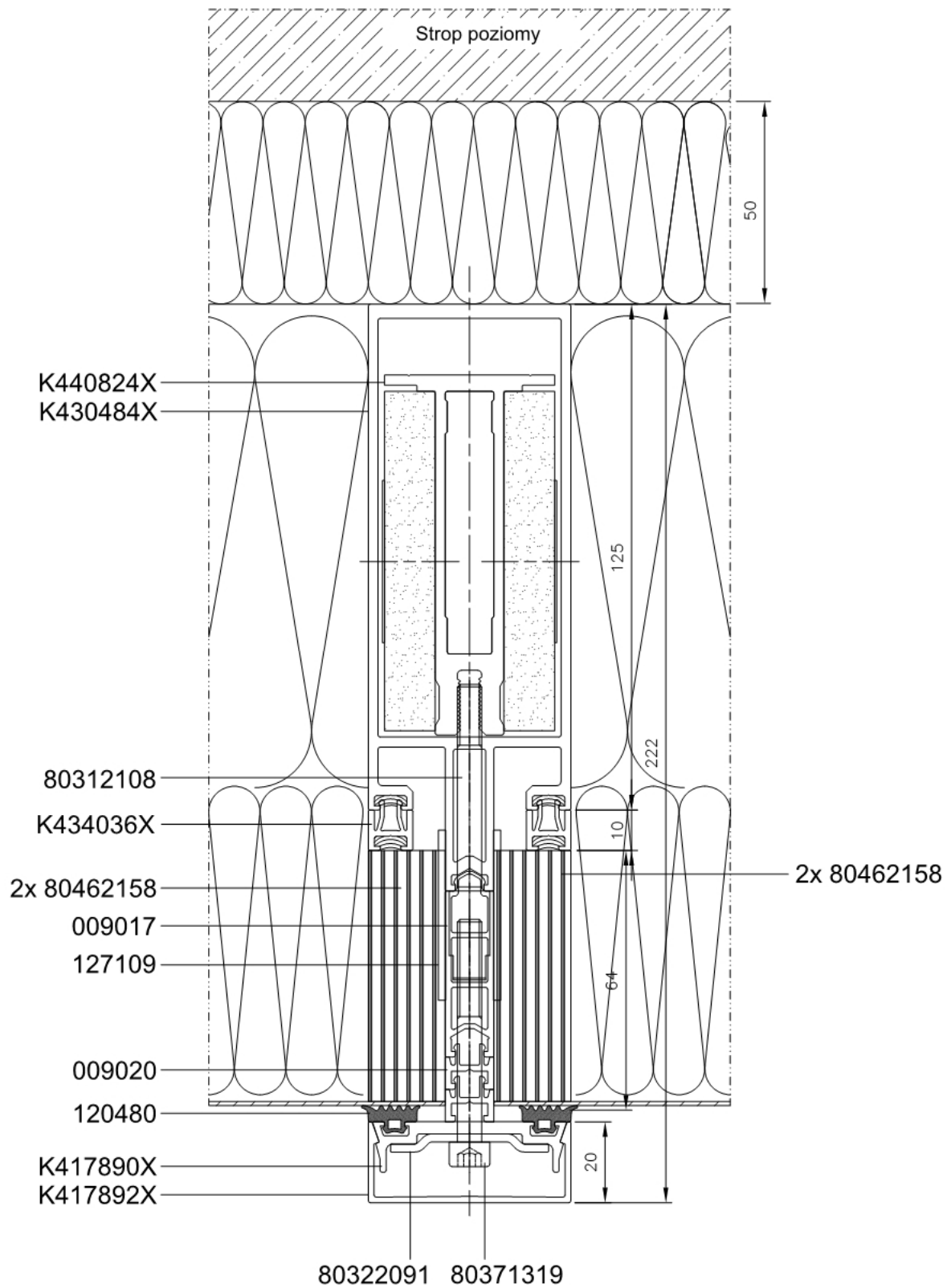


Fig. 9A. Section 4-4

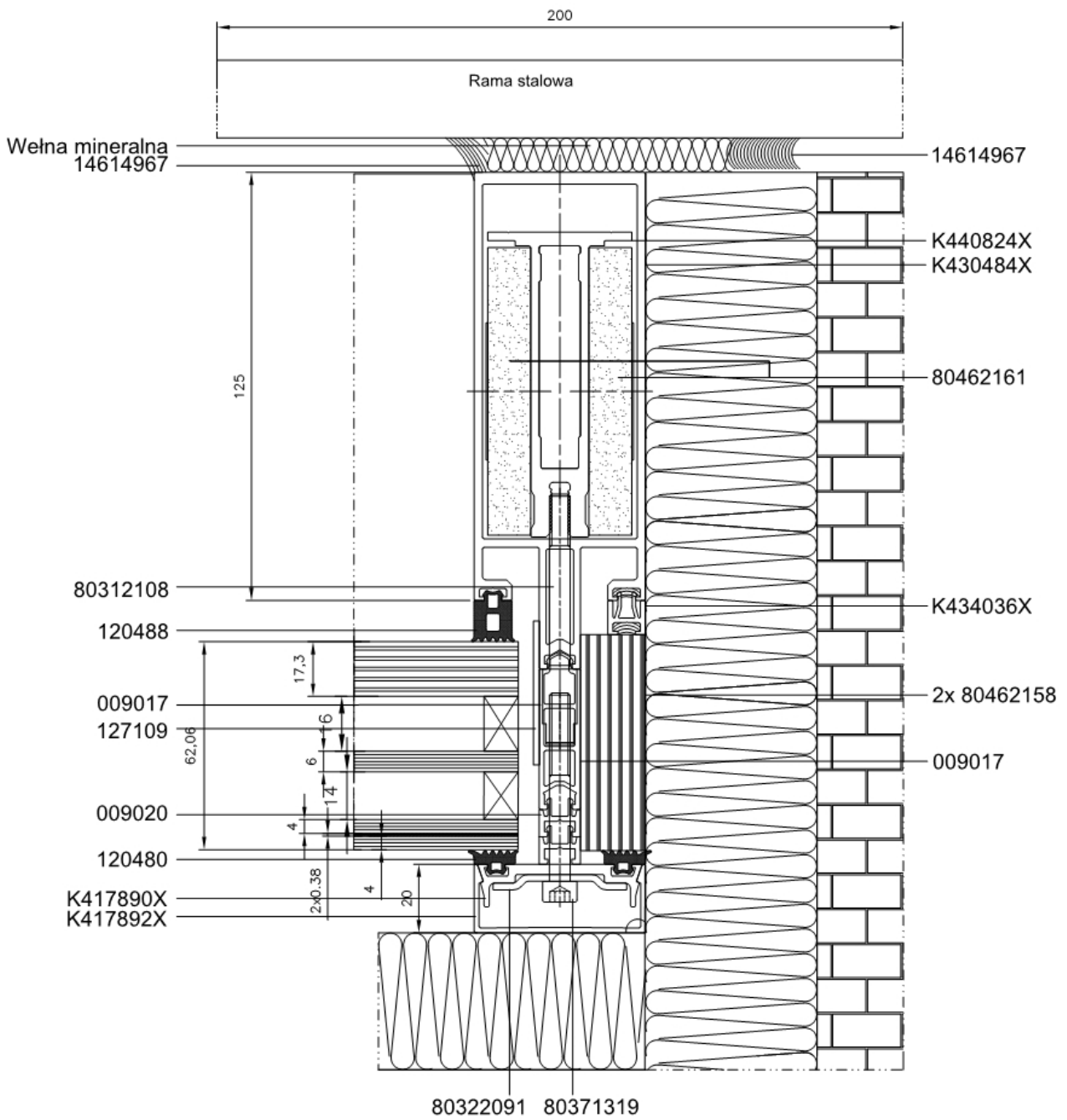


Fig. 10A. Section 5-5

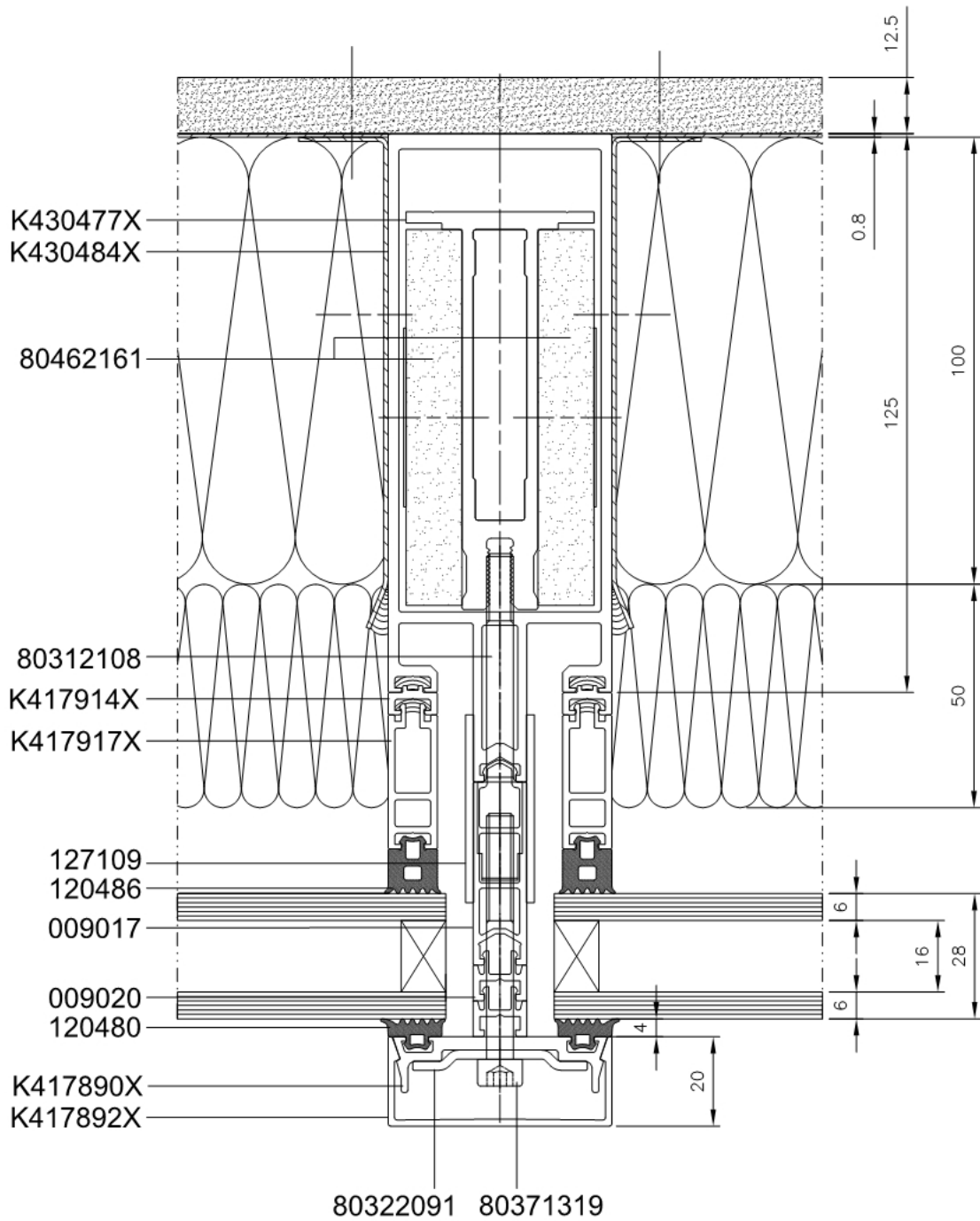


Fig. 11A. Section 6-6

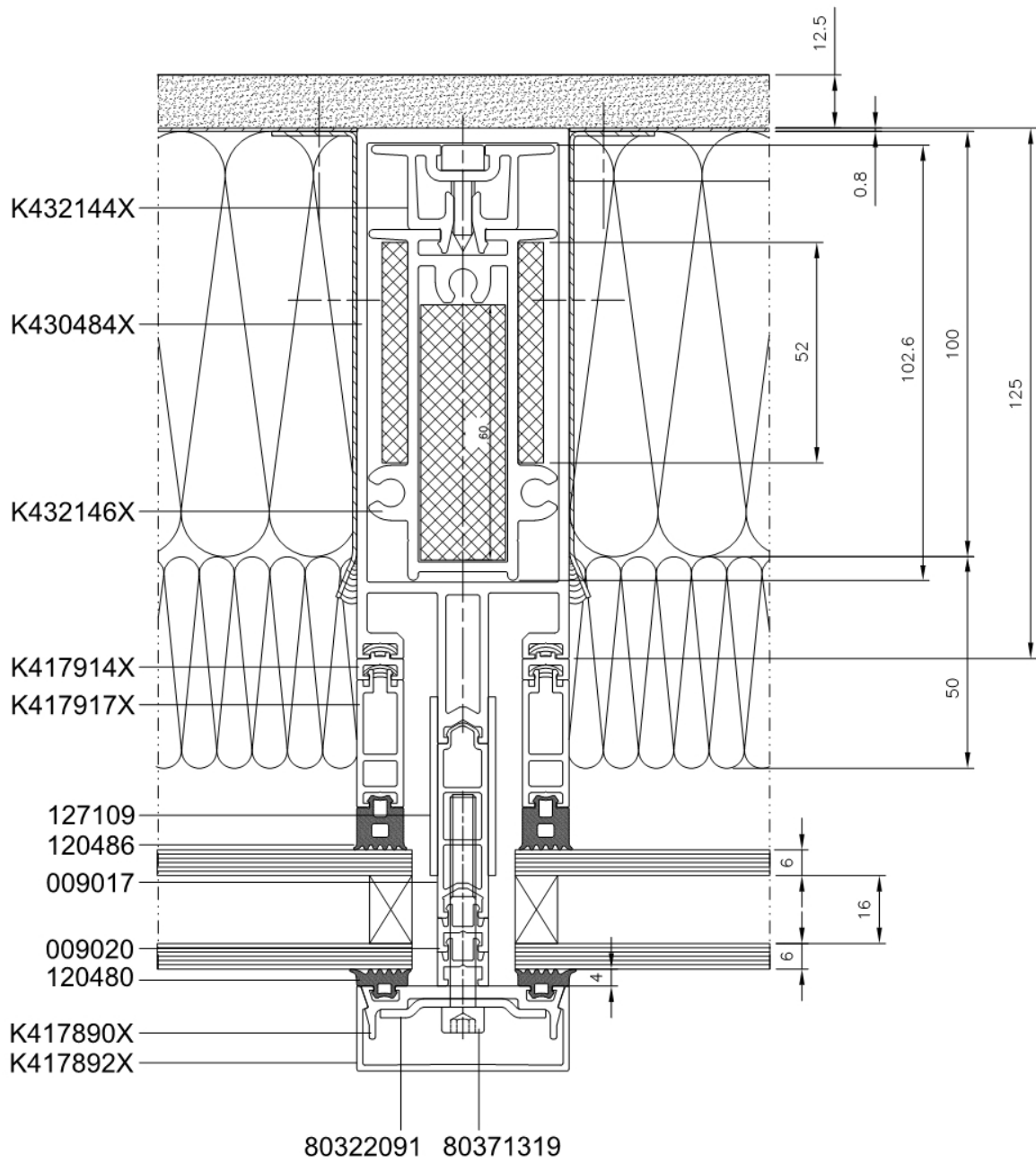


Fig. 12. Section 7-7

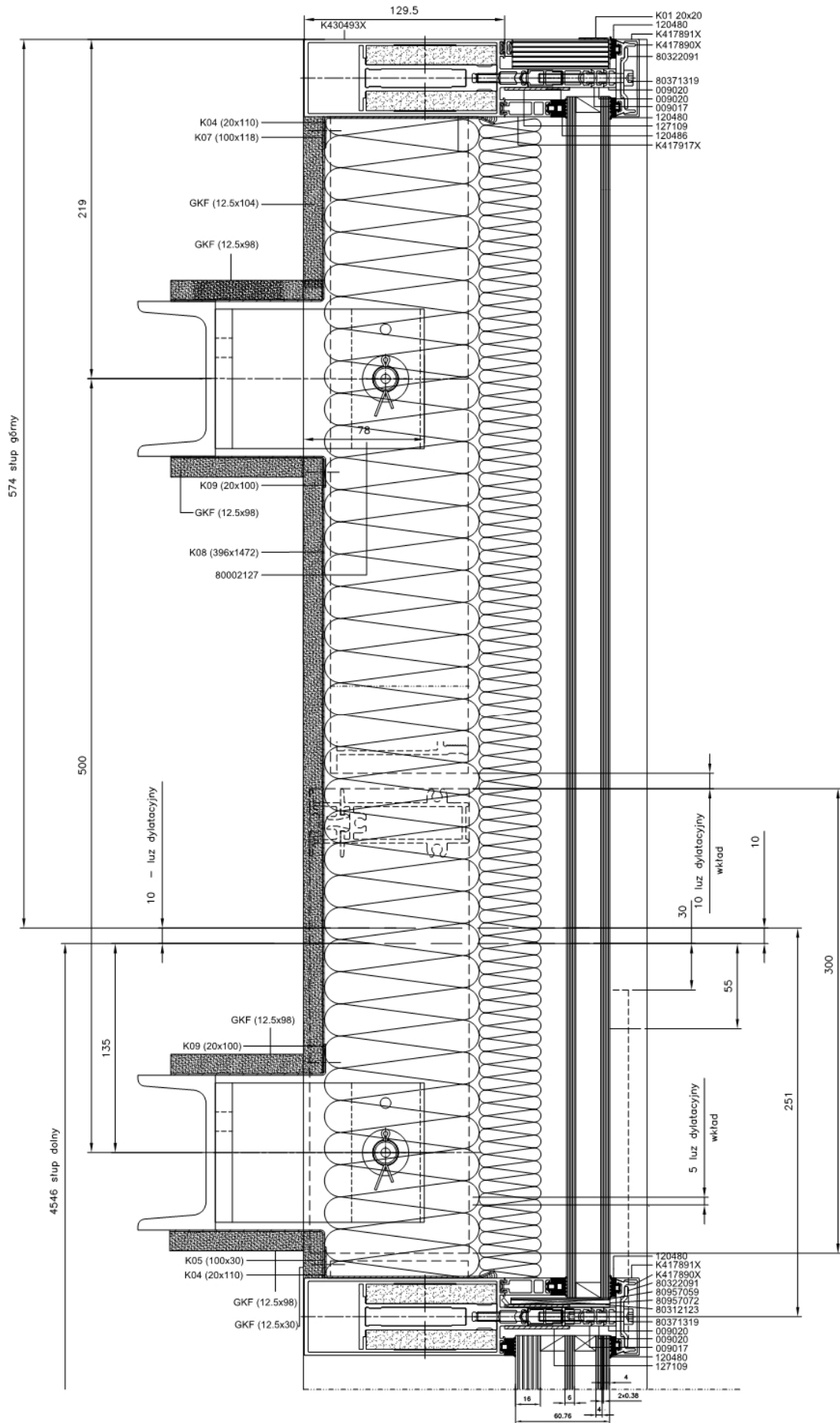


Fig. 13A. Section 8-8

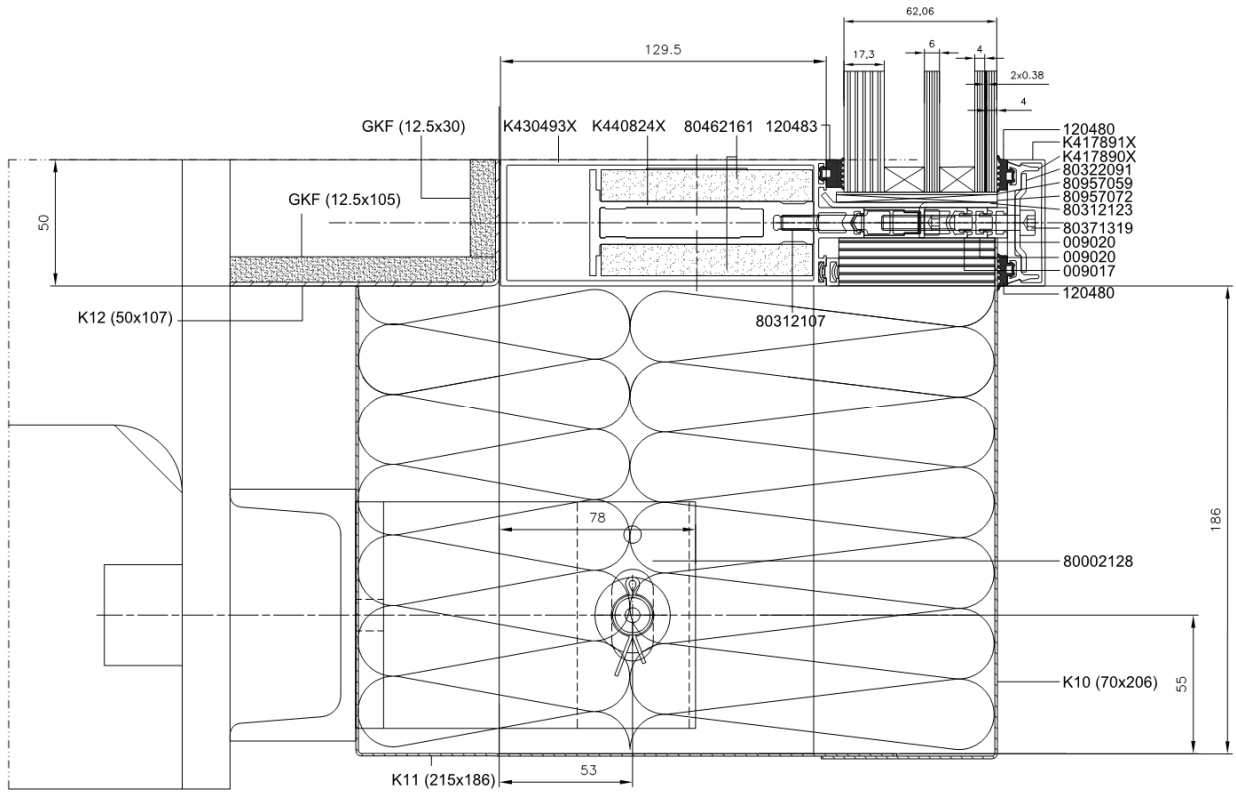


Fig. 14A. Section 9-9

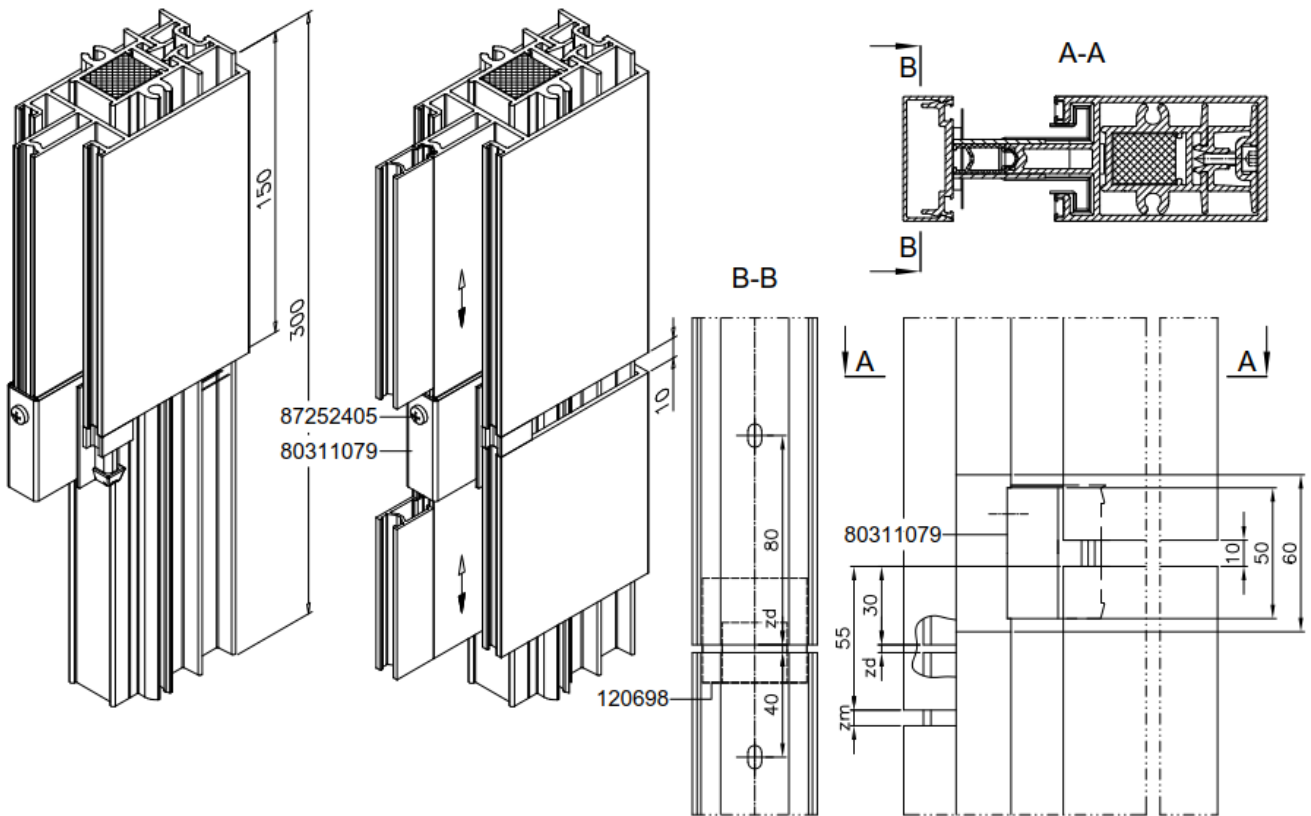


Fig. 15A. Scheme for making an expansion joint

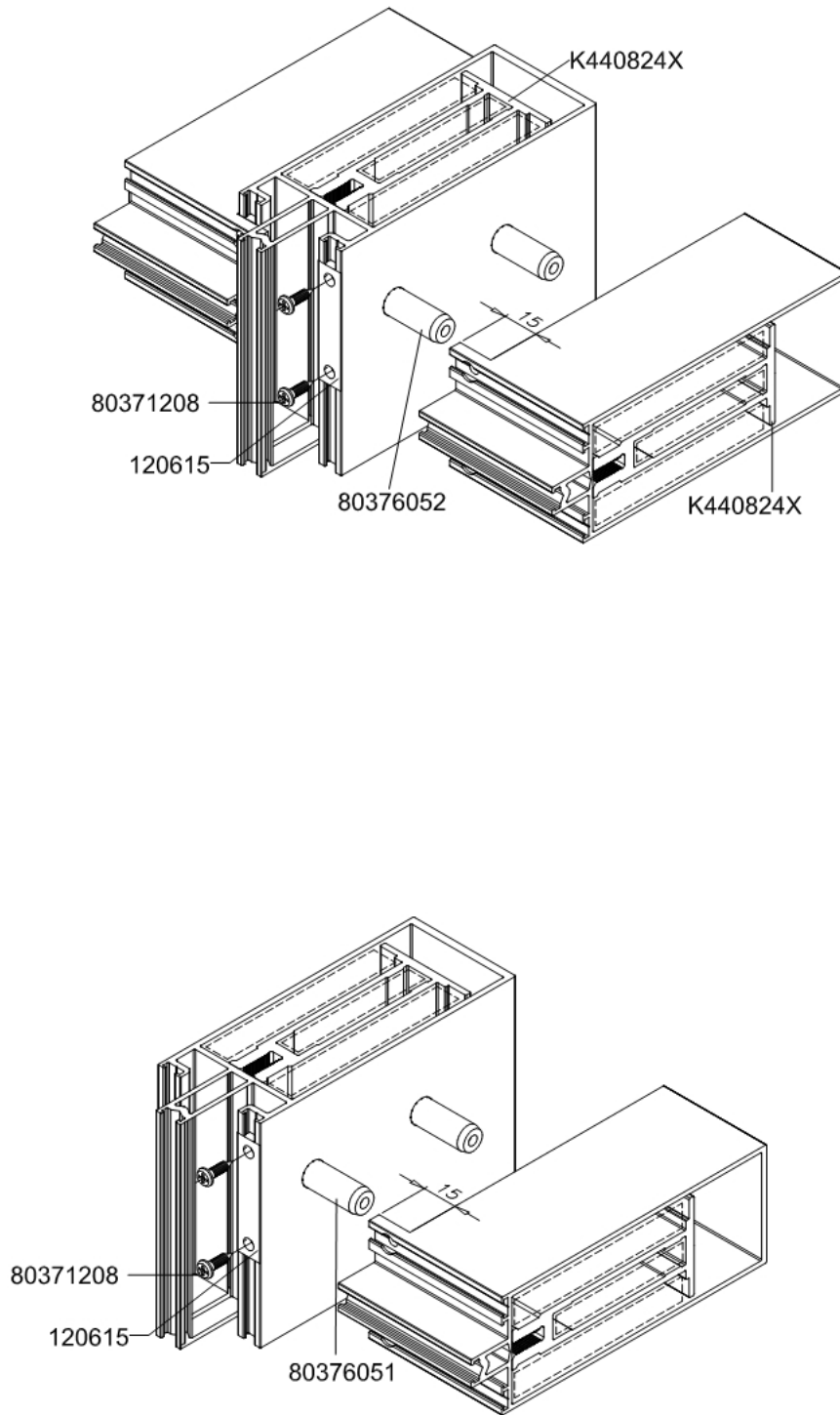
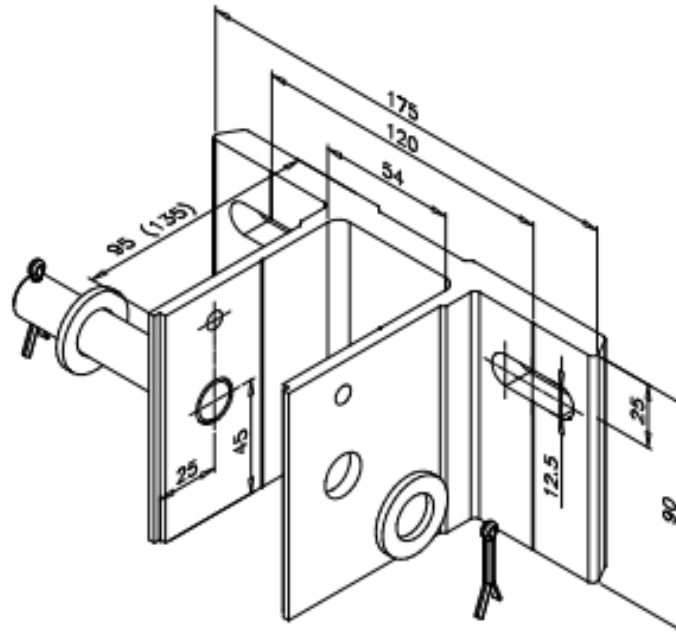
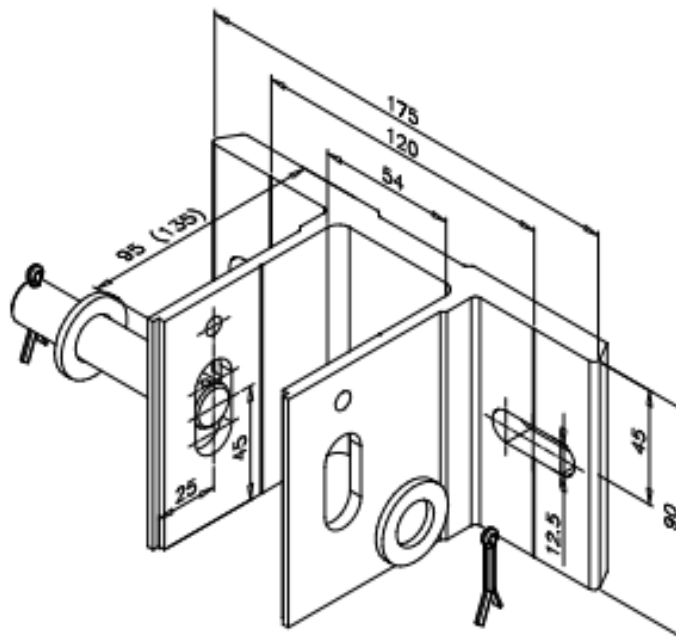


Fig 16A. Schemes of making transom - mullion connections



Rys. 17A. Fixed bracket cat. No. 80002127



Rys. 18A. Sliding bracket cat. No. 80002128

Final remarks

The Testing Laboratory declares that the test results relate only to the sample received.

The Test Report cannot be reproduced in any other form than as a whole without written permission of the Laboratory.

The Test Report does not replace documents required for placing construction products on the market or making them available.

This report has been issued in electronic form, with qualified electronic signatures of responsible persons. The printout of this report is not an original document

Research team

Kamil Makuch, Leszek Włodarczyk, Mateusz Tumidajewicz, Emil Paciorek, Jacek Nowak, Jacek Kinowski

PREPARED by

e-signature

CHECKED by

e-signature

AUTHORIZED by

e-signature

END OF THE REPORT
